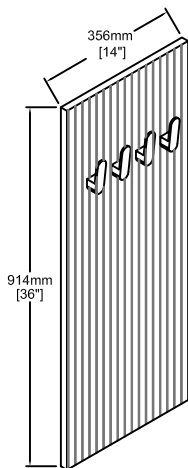
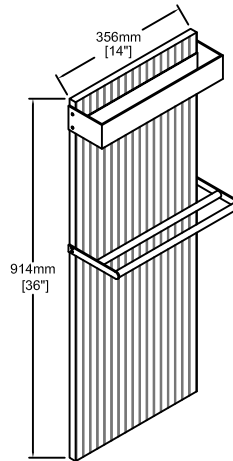


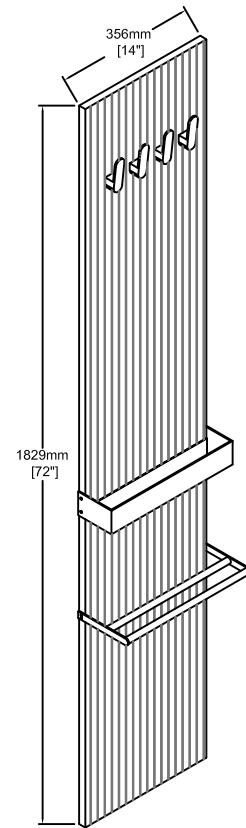
V8044 20



P8044 1436 U



P8044 1436 L



P8044 1472

[**RIMINI**]
Series Vanities]

Specification & Installation Guide

Features

- Modern design with melamine finishes.
- Soft-closing Doors .
- Compatible artificial stone basins.
- Compatible matching mirror, medicine cabinet or LED mirror, medicine cabinet.
- Easy installation.

Package Dimension

20"	22-7/16" X 14-9/16" X 26-9/16"
1436 U	38-3/4" X 16-3/4" X 5-1/2"
1436 L	38-3/4" X 16-3/4" X 9-1/4"
1472	74-3/4" X 16-3/4" X 9-1/4"

Colors / Finishes

- MAPLE STRIP - 13
- DARK WALNUT STRIP - 20

Gross Weight

20"	68 LBS
1436 U	29 LBS
1436 L	31 LBS
1475	47 LBS

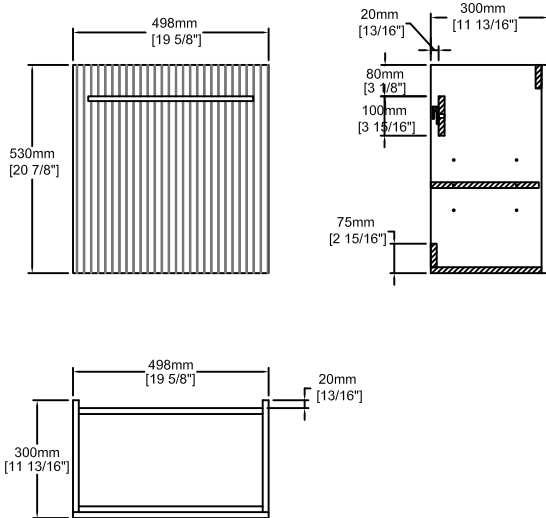
Sink Top Options

Vanities

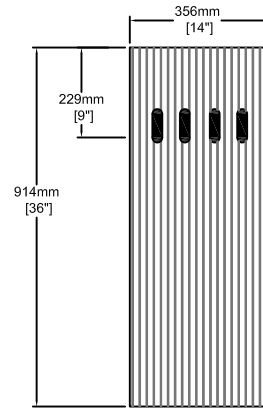
20"	V8044 20
1436 U	P8044 1436 U
1436 L	P8044 1436 L
1472	P8044 1472

Artificial stone basin

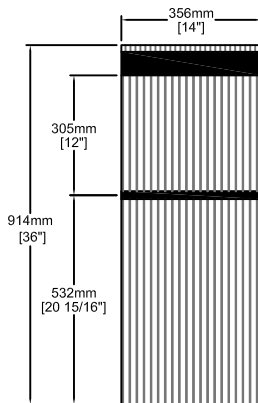
20" 19-5/8" x 11-13/16" x 20-7/8"



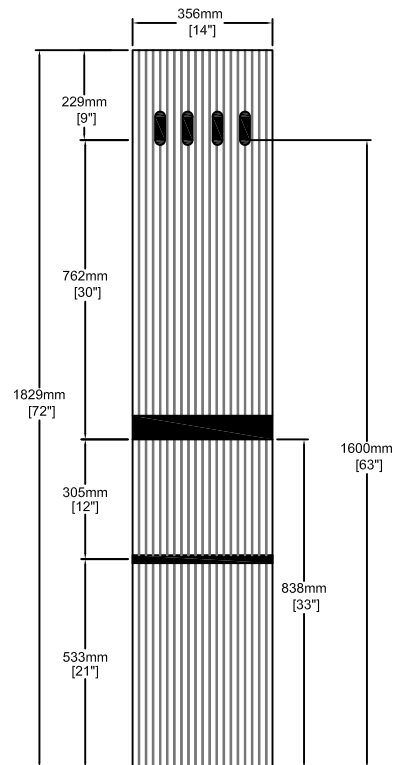
P8044 1436 U 14" x 3" x 36"





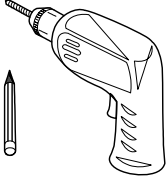
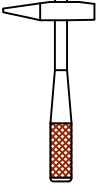
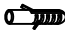



P8044 1436 L 14" x 6-1/2" x 36"



P8044 1472 14" x 6-1/2" x 72"

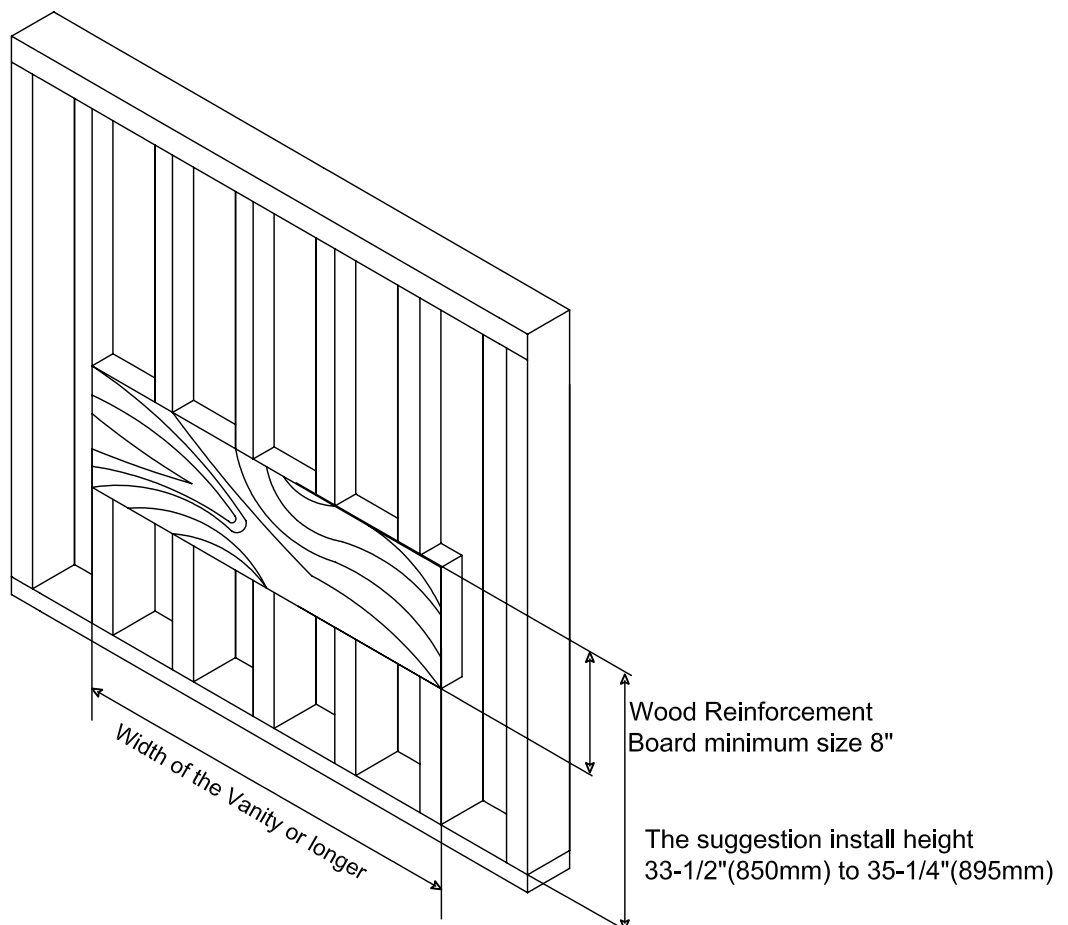


Hardware				Tools (not includes)	
NO.		Draw	QTY		
A	Leveling bracket		2	    	
B	White rubber plug(Ø6mm)		6		
C	Screws(Ø4 x 68mm)		6		

Wall blocking is required for all installation

The suggested heights without the sink are 30-5/8" for Blossom Resin Basin, or 32-5/8" for Blossom Ceramic Basin.

Depending on the sinks selected, the total height will vary from 33-1/2"(850mm) to 35-1/4"(895mm). If an alternate height desired, adjust the rough-in and backing material heights using the dimensions provided.

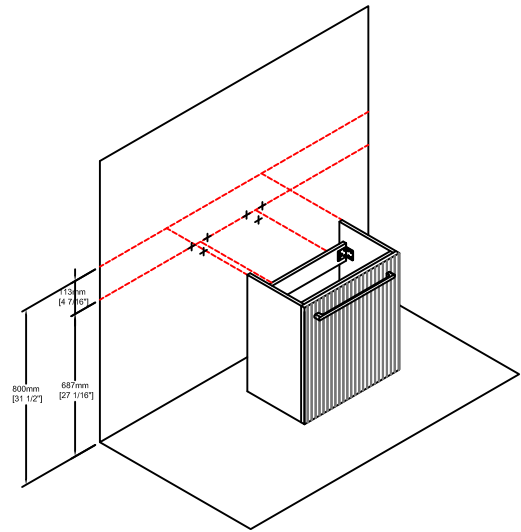


STEP 1

- Draw a punched position on the wall with a pencil.

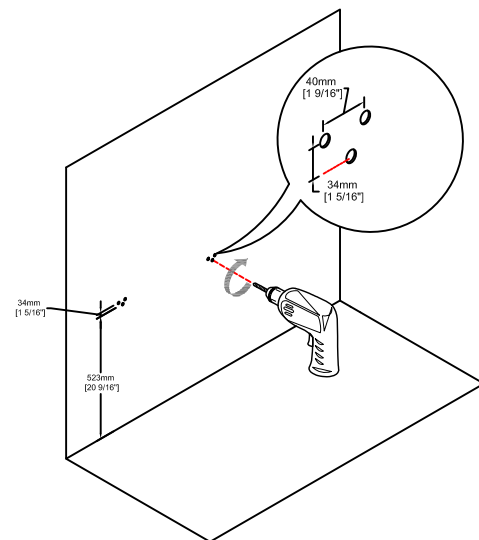
Tip:

The suggestion height of the cabinet is 31-1/2"
(800mm)-not including the basin.



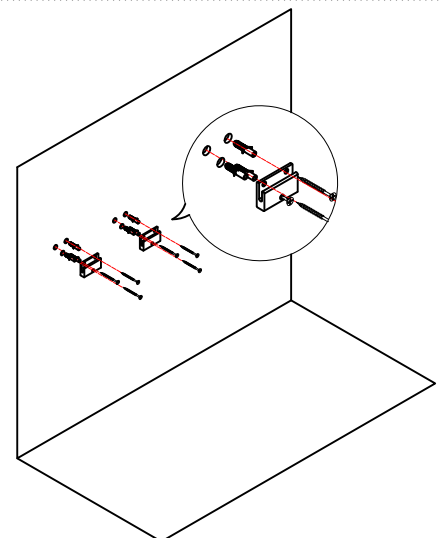
STEP 2

- Drill the holes with suitable drill-bits
base on different condition of the wall.



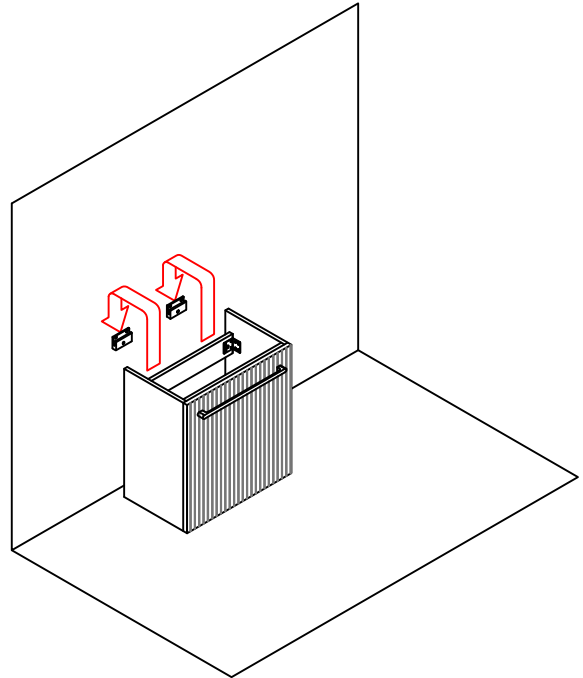
STEP 3

- Hammer in the expansion plug, secure
the brackets onto the wall with screws.



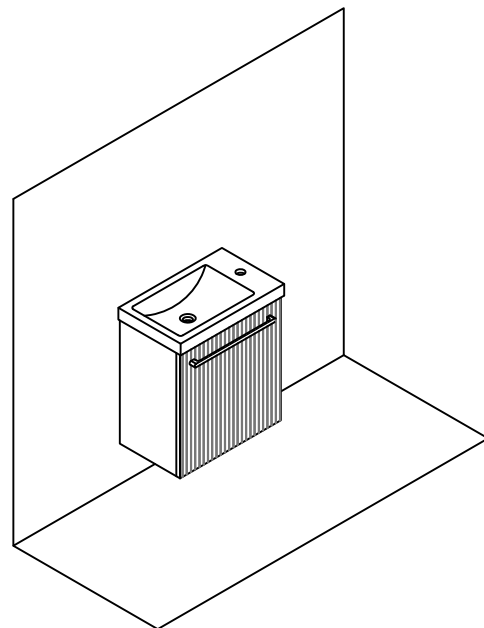
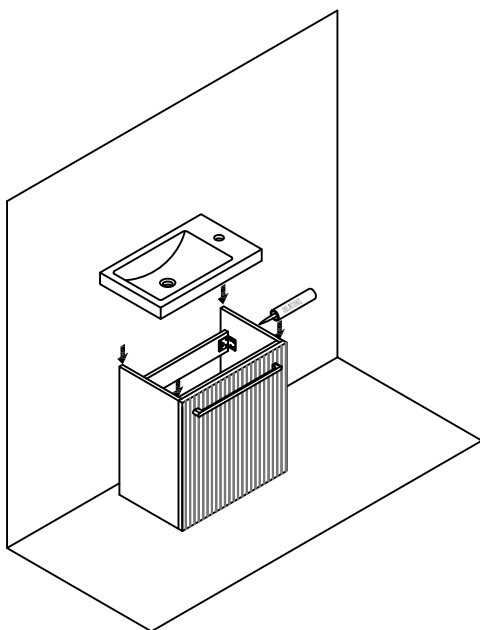
STEP 4

- Hang the accessories behind the cabinet on the leveling bracket.(As the picture shows).



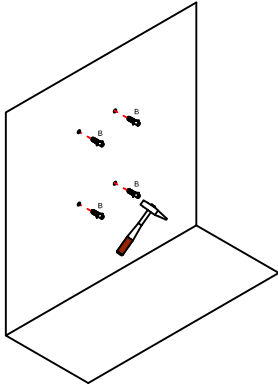
STEP 5

- Install sink top with silicone and finish.

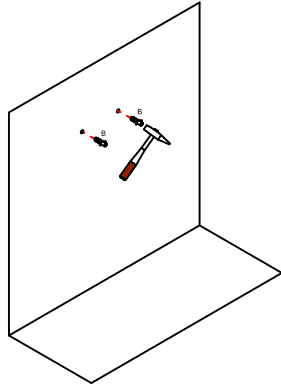


STEP 1

- Measure the wall-hung board and mark down the holes on the wall.
- Drill the holes with suitable drill-bits base on different condition of the wall.
- Use a hammer to knock the rubber plug into the hole.



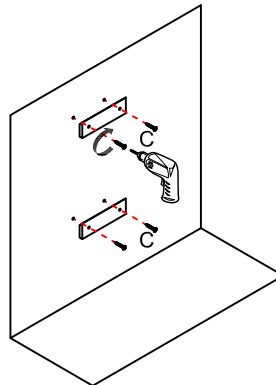
P8044 1472



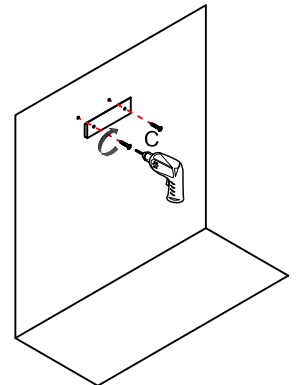
P8044 1436 U
P8044 1436 L

STEP 2

- Screw the 45 degree wall-hung panel onto the wall.



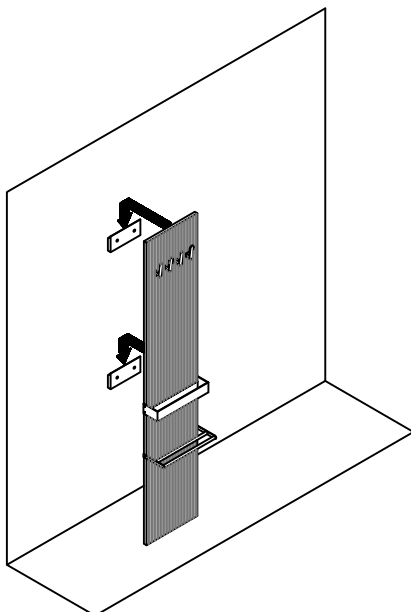
P8044 1472



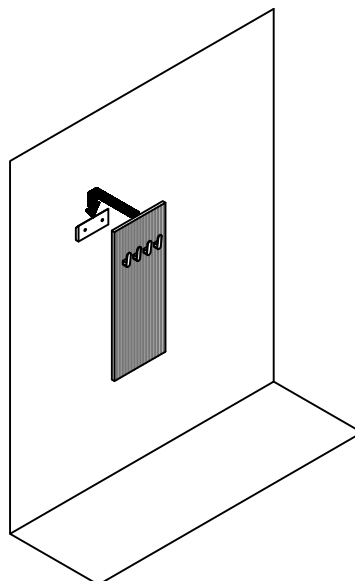
P8044 1436 U
P8044 1436 L

STEP 3

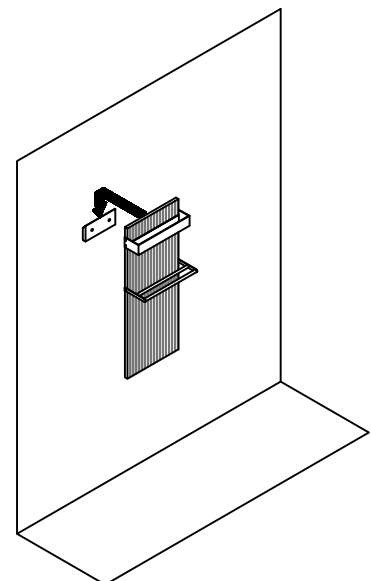
- Put up the rear panel of the pendant on a 45 degree wall mounted panel.



P8044 1472



P8044 1436 U



P8044 1436 L



Blossom Kitchen & Bath Supply Corporation
(718)-366-0088 | sales@BlossomUS.com | www.BlossomUS.com

For clarification, please contact us at (718)-366-0088 or sales@BlossomUS.com
All dimensions are approximate and subject to standard tolerance. Specifications subject to change without prior notice.