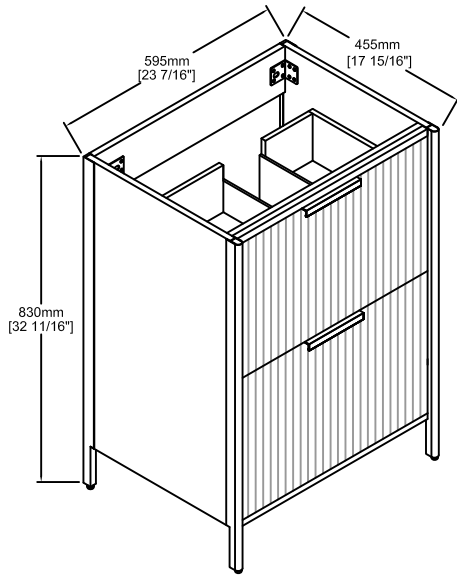
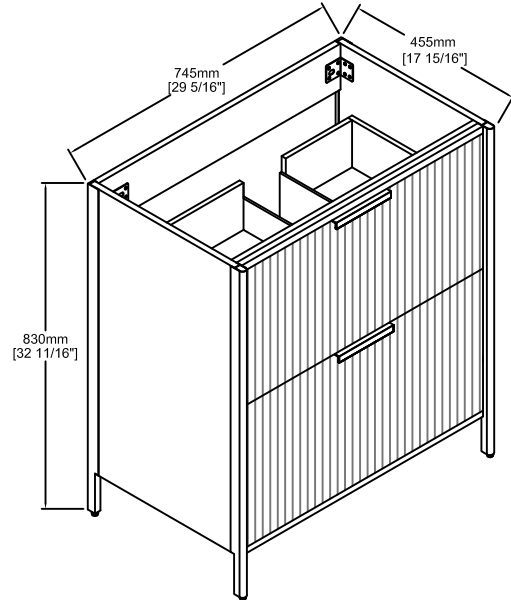




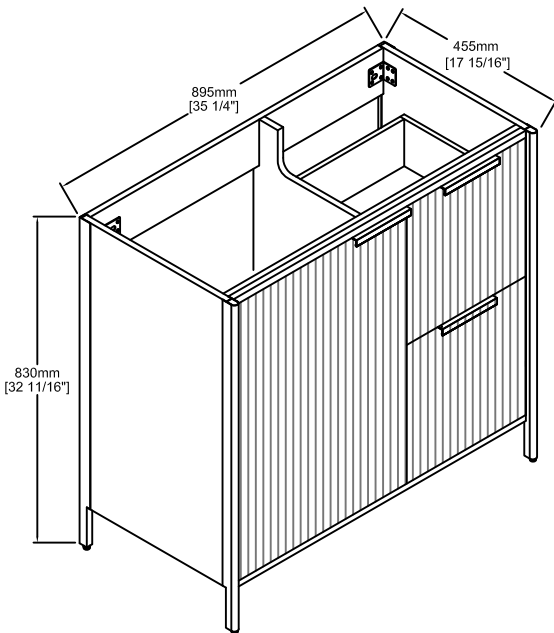
BLOSSOM[®]
luxury made simple



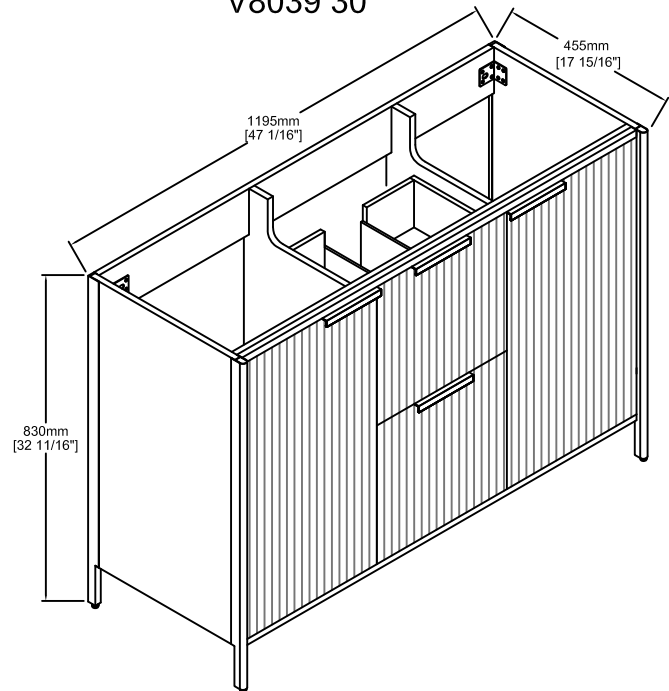
V8039 24



V8039 30



V8039 36



V8039 48

[**ZURICH**]
Series Vanities

Specification & Installation Guide

Features

- Modern design with gloss white or metal grey.
- Soft-closing Doors & Drawers.
- Compatible ceramic basins or artificial stone basins.
- Compatible matching mirror, medicine cabinet or LED mirror, medicine cabinet.
- Easy installation.

Package Dimension

- 24"** 26-3/16" X 20-11/16" X 36"
- 30"** 32-1/16" X 20-11/16" X 36"
- 36"** 38" X 20-11/16" X 36"
- 48"** 49-13/16" X 20-11/16" X 23-5/8"

Colors / Finishes

- GLOSSY WHITE - 01
- METAL GREY - 15

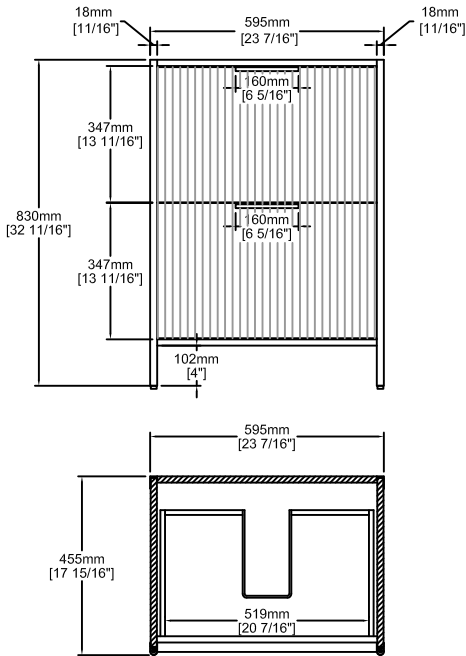
Gross Weight

- 24"** 80 LBS
- 30"** 90 LBS
- 36"** 103 LBS
- 48"** 127 LBS

Sink Top Options

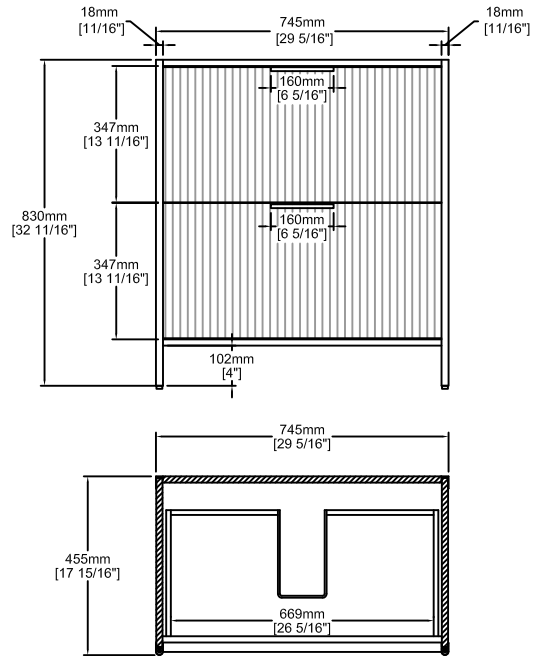
	Vanities	Ceramic basin	Artificial stone basin
24"	V8039 - 24	C04 2418	A10 2418 25
30"	V8039 - 30	C04 3018	A10 3018 25
36"	V8039 - 36	C04 3618	A10 3618 25
48"	V8039 - 48	C04 4818	A10 4818 25

24" 23-7/16" x 17-15/16" x 32-11/16"



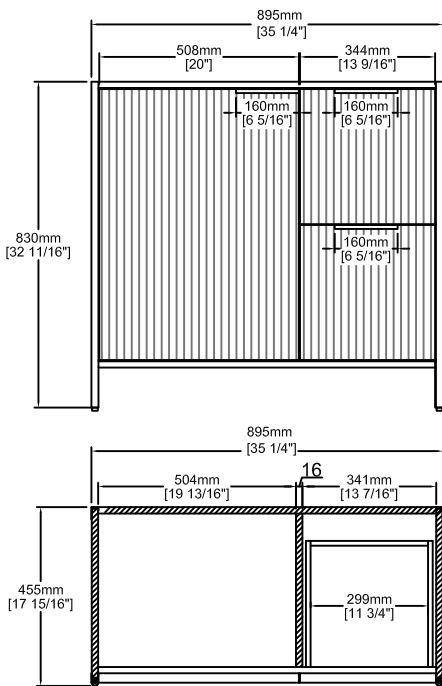
TOP VIEW

30" 29-5/16" x 17-15/16" x 32-11/16"



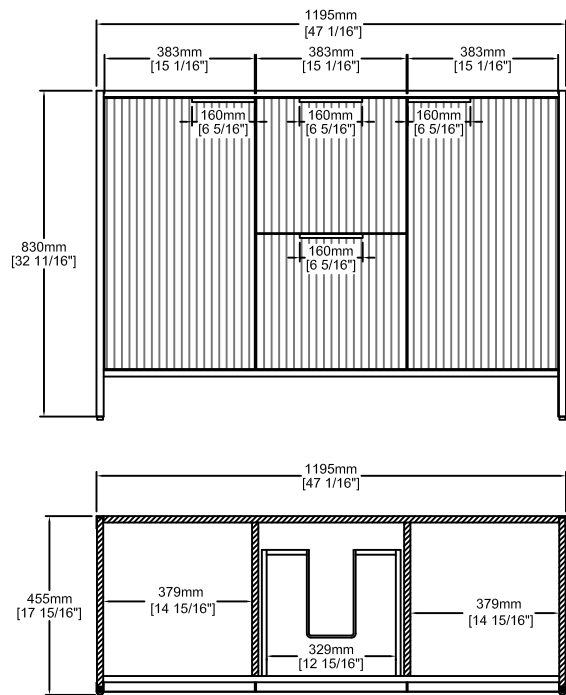
TOP VIEW

36" 35-1/4" x 17-15/16" x 32-11/16"



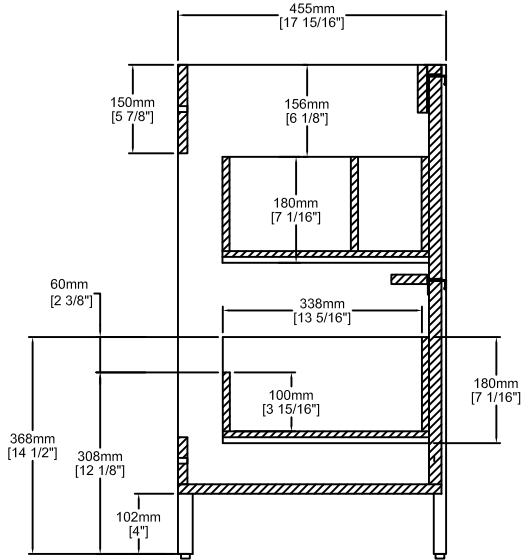
TOP VIEW

48" 47-1/16" x 17-15/16" x 32-11/16"



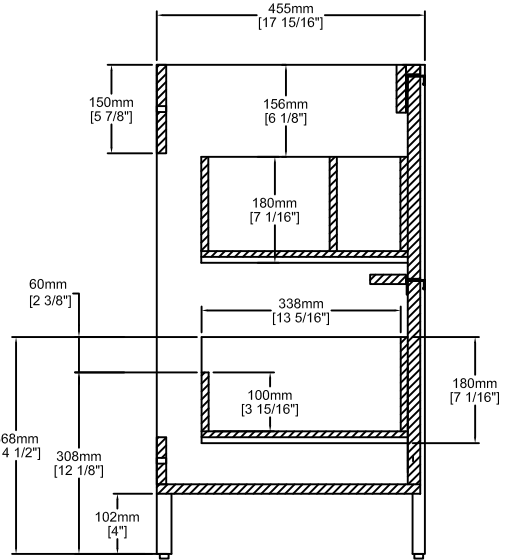
TOP VIEW

24" 23-7/16" x 17-15/16" x 32-11/16"



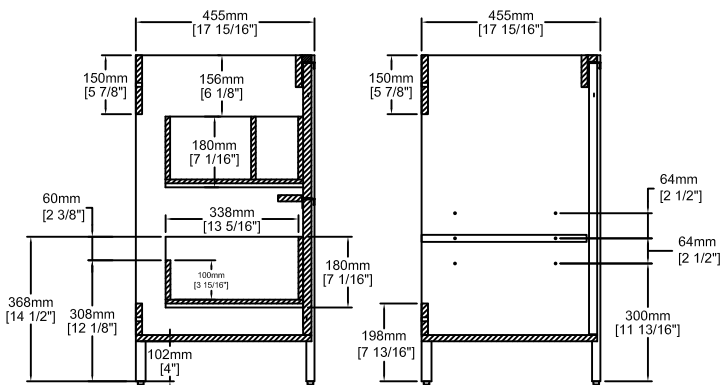
SECTION VIEW

30" 29-5/16" x 17-15/16" x 32-11/16"



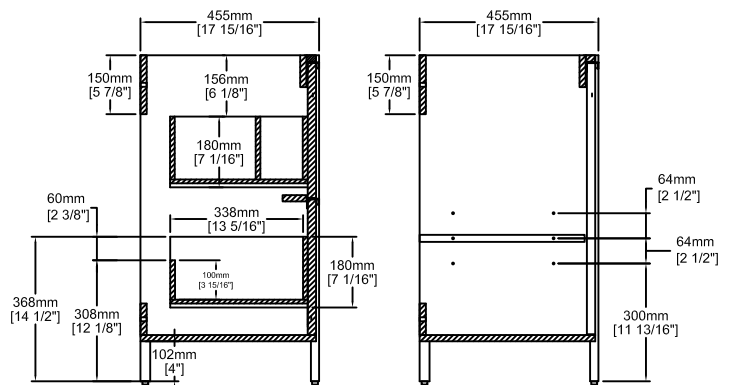
SECTION VIEW

36" 35-1/4" x 17-15/16" x 32-11/16"


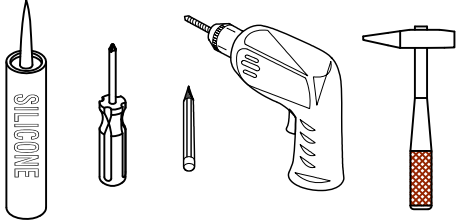

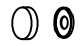


SECTION VIEW

48" 47-1/16" x 17-15/16" x 32-11/16"



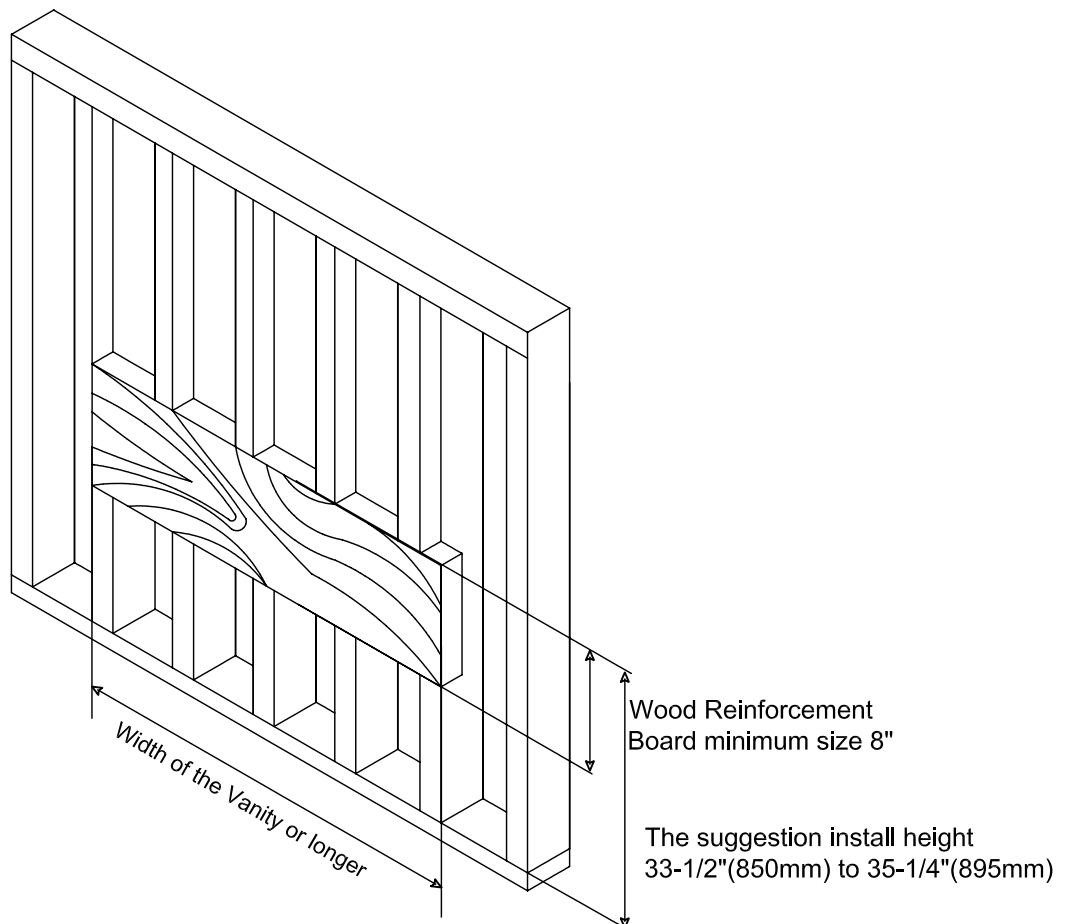
SECTION VIEW

Hardware				Tools (not includes)
NO.		Draw	QTY	
A	White rubber plug(Ø6mm)		2	
B	Screws(Ø4 x 68mm)		2	
C	Stainless steel cover		2	

Wall blocking is required for all installation

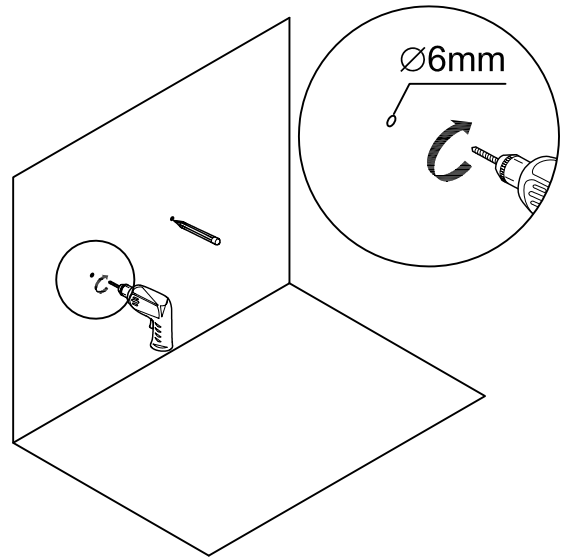
The suggested heights without the sink are 30-5/8" for Blossom Resin Basin, or 32-5/8" for Blossom Ceramic Basin.

Depending on the sinks selected, the total height will vary from 33-1/2"(850mm) to 35-1/4"(895mm). If an alternate height desired, adjust the rough-in and backing material heights using the dimensions provided.



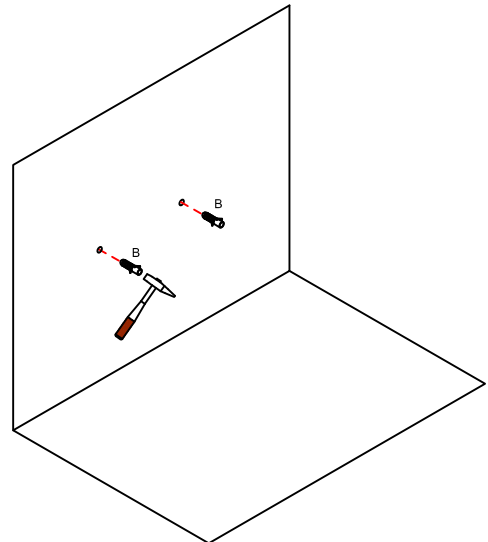
STEP 1

- Mark the pre-drilled holes with a pencil or marker after positioning the vanity.
- Drill the holes with suitable drill-bits base on different condition of the wall.



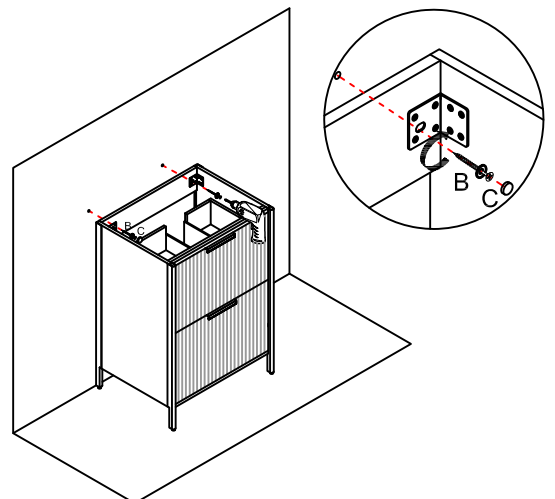
STEP 2

- White rubber plug for brick wall or concrete wall.



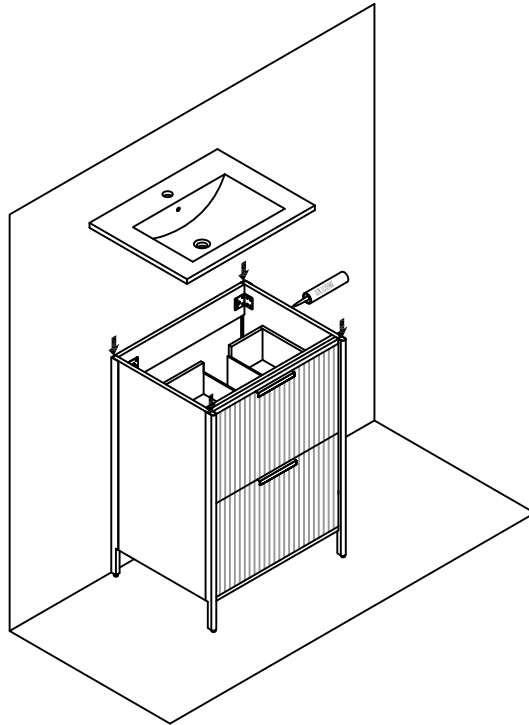
STEP 3

- Fix the cabinet to the wall with screw B and cover it with a stainless steel lid C.



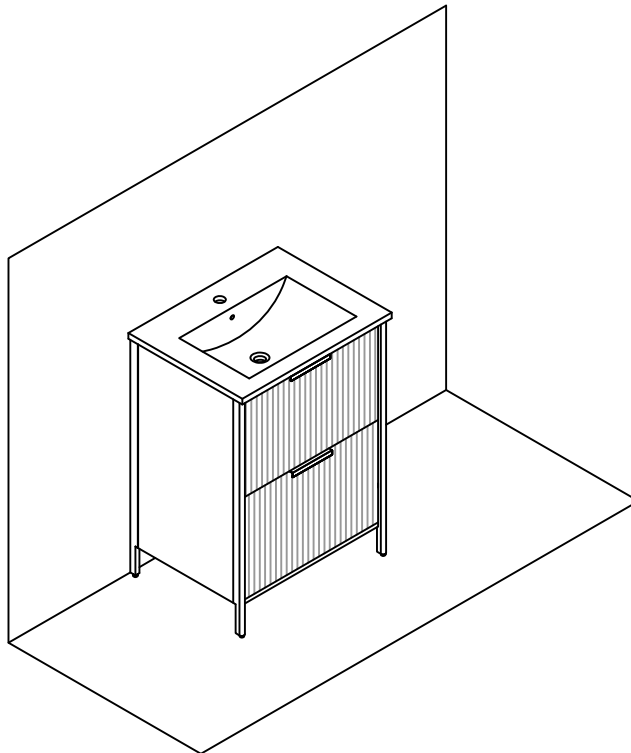
STEP 4

- Install the basin with silicone.



STEP 5

- Installation complete.





Blossom Kitchen & Bath Supply Corporation
(718)-366-0088 | sales@BlossomUS.com | www.BlossomUS.com

For clarification, please contact us at (718)-366-0088 or sales@BlossomUS.com
All dimensions are approximate and subject to standard tolerance. Specifications subject to change without prior notice.