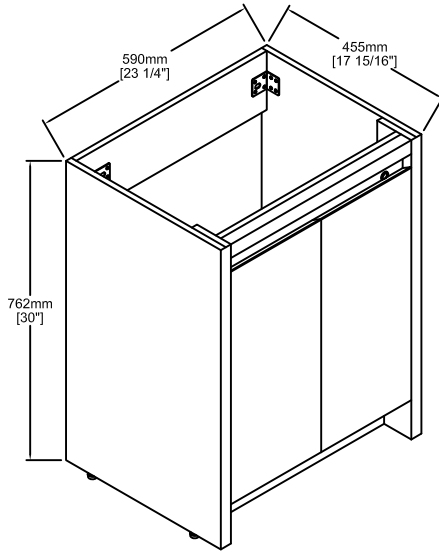
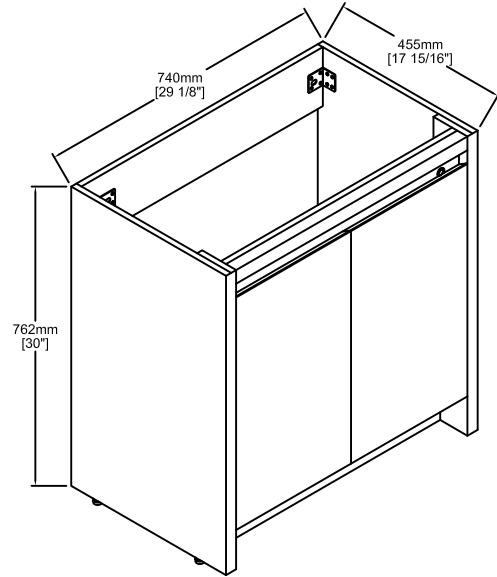




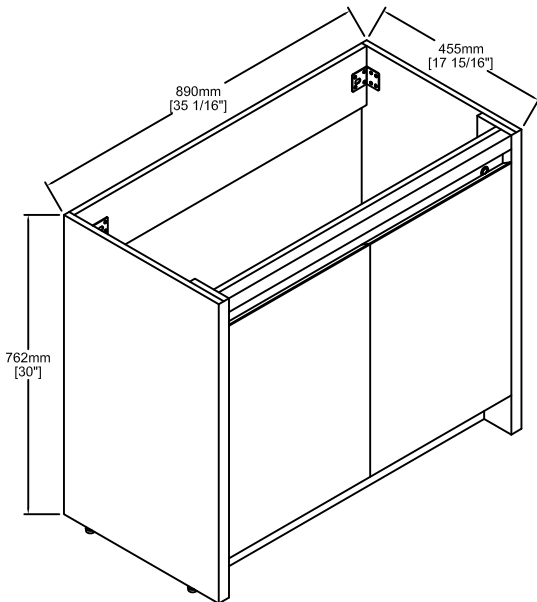
BLOSSOM[®]
luxury made simple



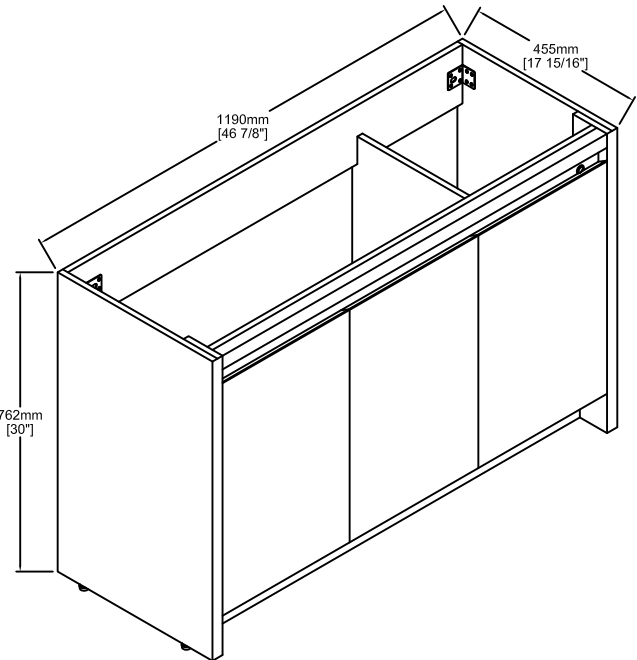
V8038 24



V8038 30



V8038 36



V8038 48

[**CAPRI**]
Series Vanities

Specification & Installation Guide

Features

- Modern design with gloss white or melamine finishes.
- Soft-closing Doors & Drawers.
- Artificial stone basins.
- Compatible matching mirror, medicine cabinet, LED Mirror, or LED medicine cabinet.
- Easy installation.

Package Dimension

- 24"** 26" x 20-11/16" x 33-1/4"
- 30"** 31-7/8" x 20-11/16" x 33-1/4"
- 36"** 37-13/16" x 20-11/16" x 33-1/4"
- 48"** 49-5/8" x 20-11/16" x 33-1/4"

Colors / Finishes

- GLOSSY WHITE - 01
- CLASSIC OAK - 29

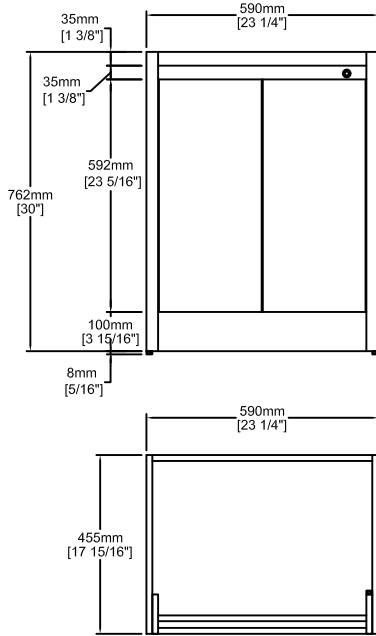
Gross Weight

- 24"** 85 LBS
- 30"** 95 LBS
- 36"** 104 LBS
- 48"** 134 LBS

Sink Top Options

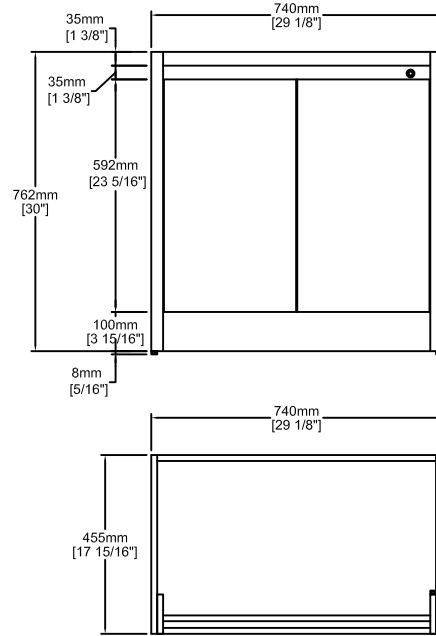
	Vanities	Artificial stone basin
24"	V8038 - 24	A10 2418 50
30"	V8038 - 30	A10 3018 50
36"	V8038 - 36	A10 3618 50
48"	V8038 - 48	A10 4818 50S

24" 23-1/4" x 17-15/16" x 30"



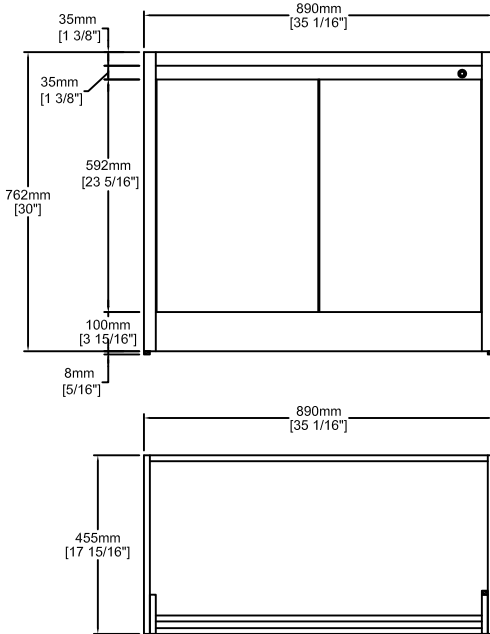
TOP VIEW

30" 29-1/8" x 17-15/16" x 30"



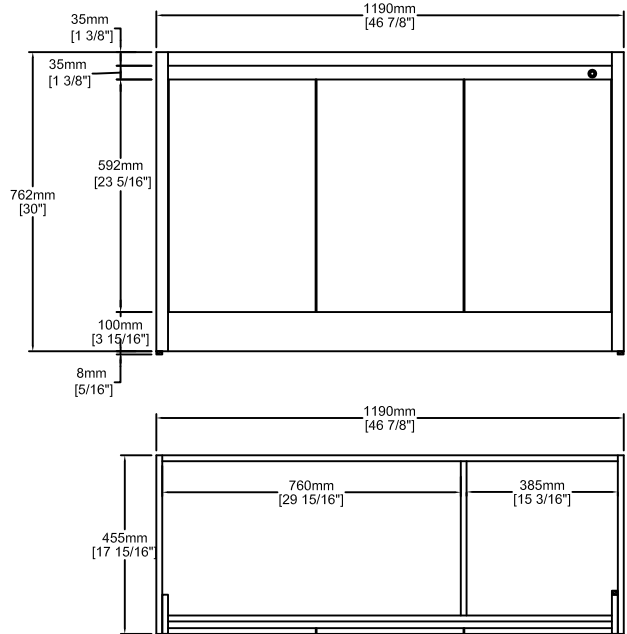
TOP VIEW

36" 35-1/16" x 17-15/16" x 30"



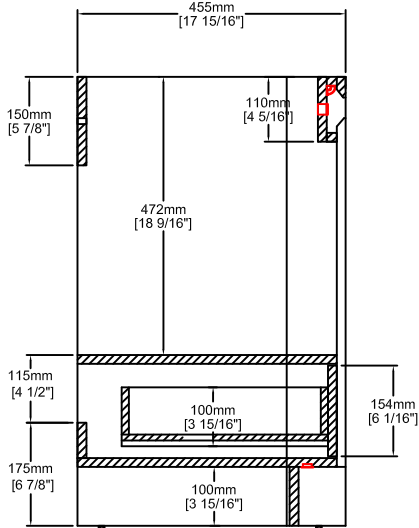
TOP VIEW

48" 46-7/8" x 17-15/16" x 30"



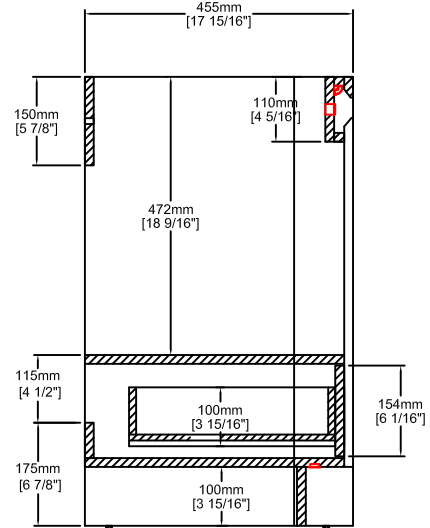
TOP VIEW

24" 23-1/4"x 17-15/16"x 30"



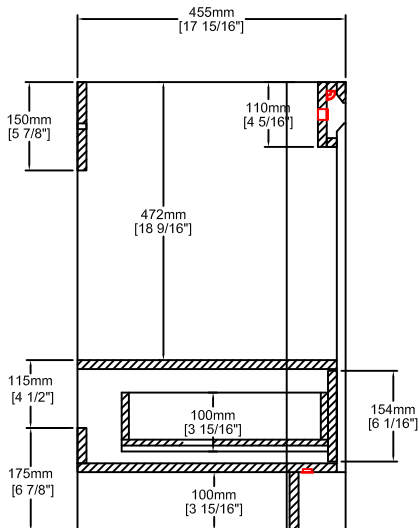
SECTION VIEW

30" 29-1/8"x 17-15/16"x 30"



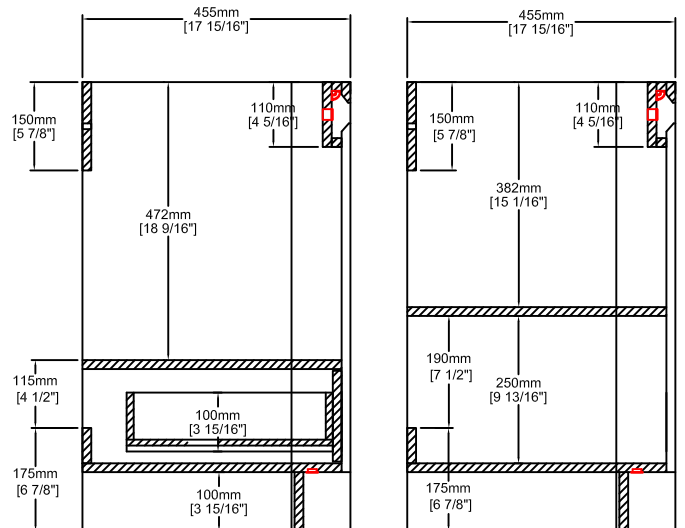
SECTION VIEW

36" 35-1/16"x 17-15/16"x 30"


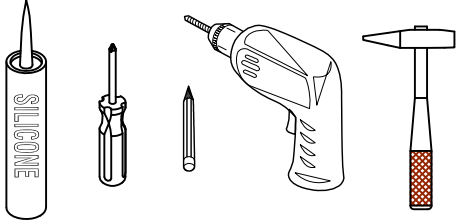
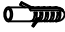

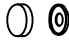


SECTION VIEW

48" 46-7/8"x 17-15/16"x 30"



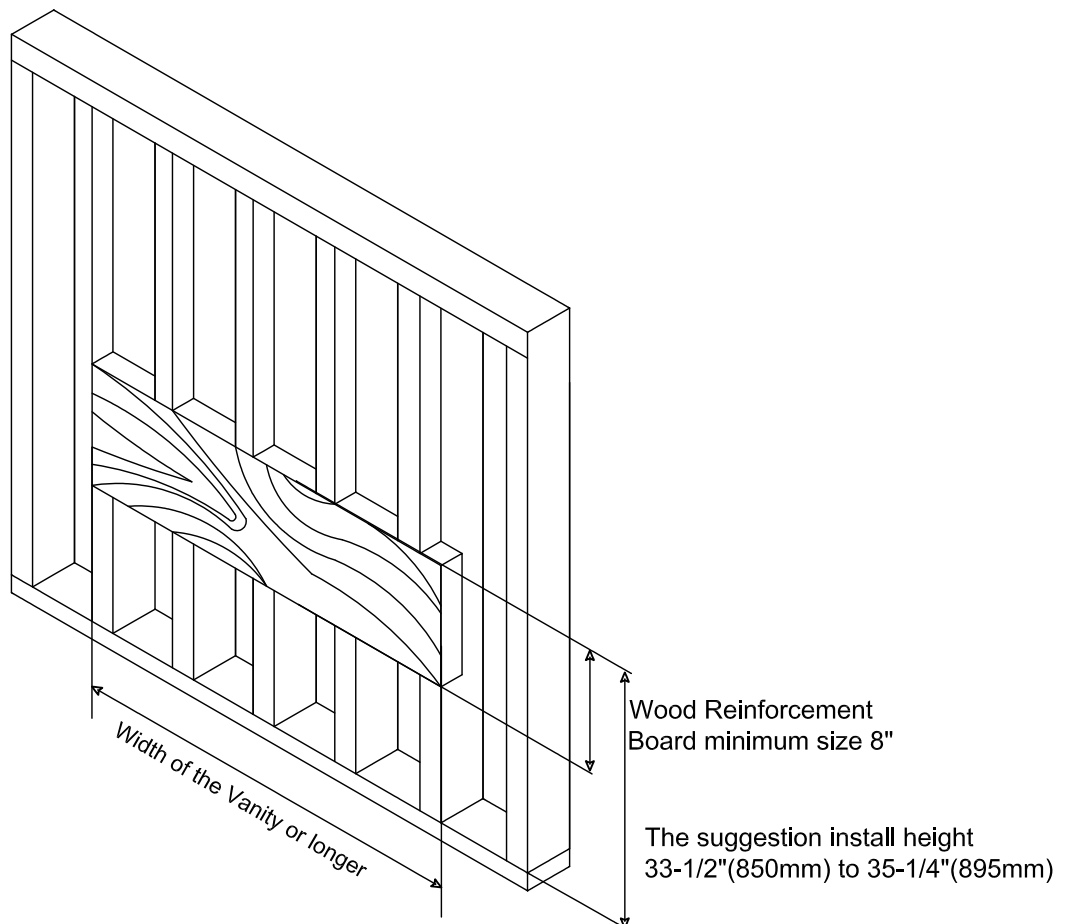
SECTION VIEW

Hardware				Tools (not includes)	
NO.		Draw	QTY		
A	Adjust feet		4		
B	White rubber plug(Ø6mm)		2		
C	Screws(Ø4 x 68mm)		2		
D	Stainless steel cover		2		

Wall blocking is required for all installation

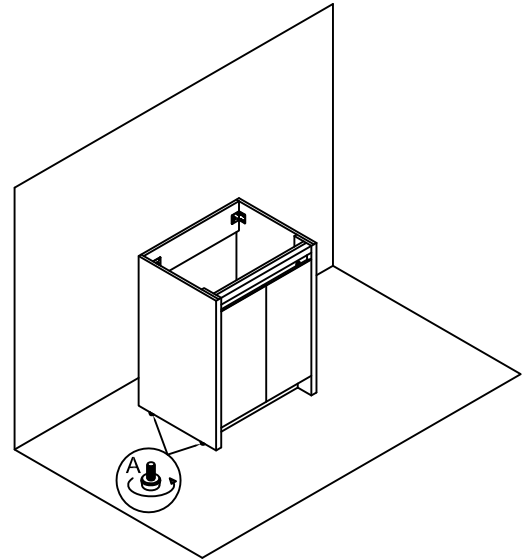
The suggested heights without the sink are 30-5/8" for Blossom Resin Basin, or 32-5/8" for Blossom Ceramic Basin.

Depending on the sinks selected, the total height will vary from 33-1/2"(850mm) to 35-1/4"(895mm). If an alternate height desired, adjust the rough-in and backing material heights using the dimensions provided.



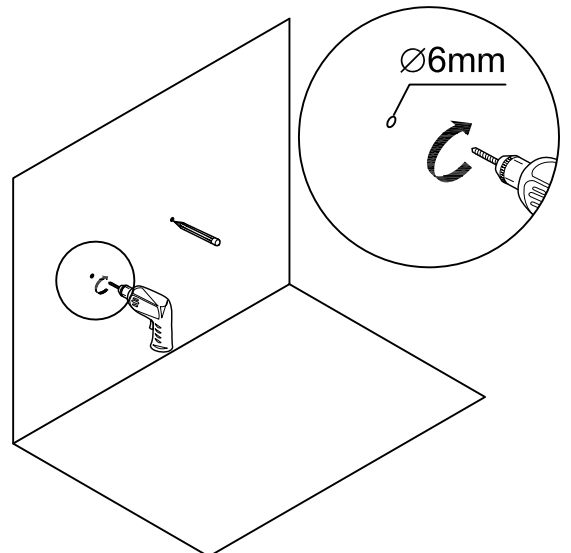
STEP 1

- Screw the lifting foot into the screw hole at the bottom.
- The adjusting screw at the bottom of the metal foot can be raised 0-9/16"(0-15mm).



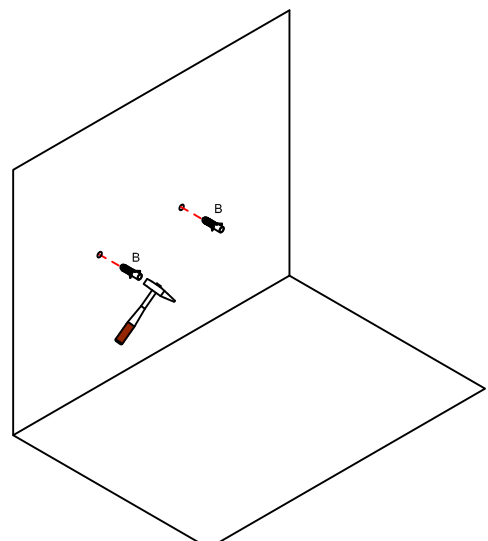
STEP 2

- Mark the pre-drilled holes with a pencil or marker after positioning the vanity.
- Drill the holes with suitable drill-bits base on different condition of the wall.



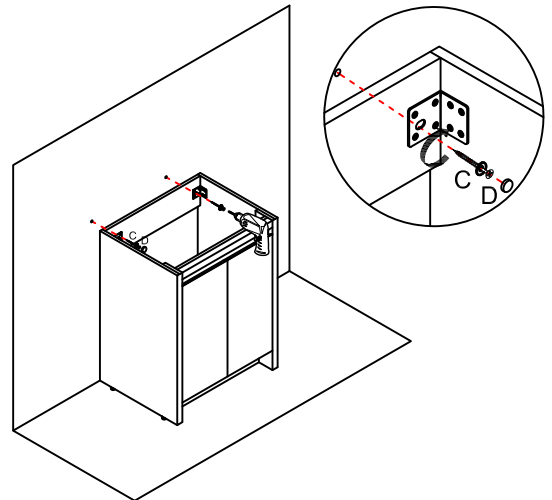
STEP 3

- White rubber plug for brick wall or concrete wall.



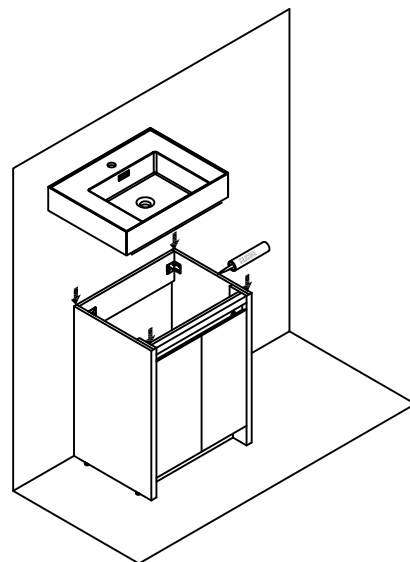
STEP 4

- Fix the cabinet to the wall with screw C and cover it with a stainless steel lid D.



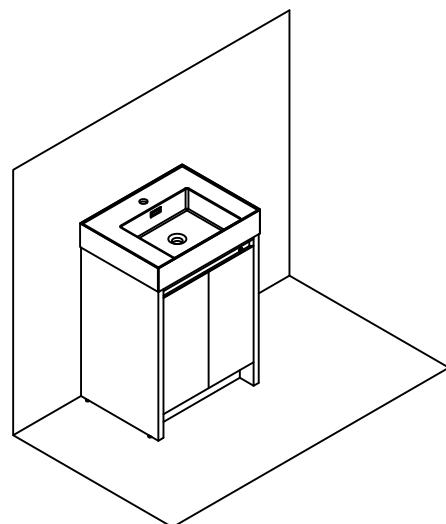
STEP 5

- Install the basin with silicone.



STEP 6

- Installation complete.





Blossom Kitchen & Bath Supply Corporation
(718)-366-0088 | sales@BlossomUS.com | www.BlossomUS.com

For clarification, please contact us at (718)-366-0088 or sales@BlossomUS.com
All dimensions are approximate and subject to standard tolerance. Specifications subject to change without prior notice.