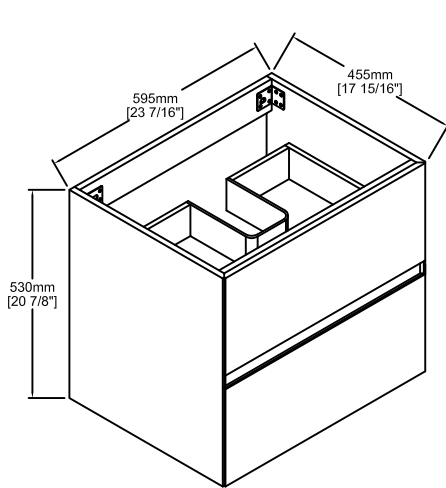
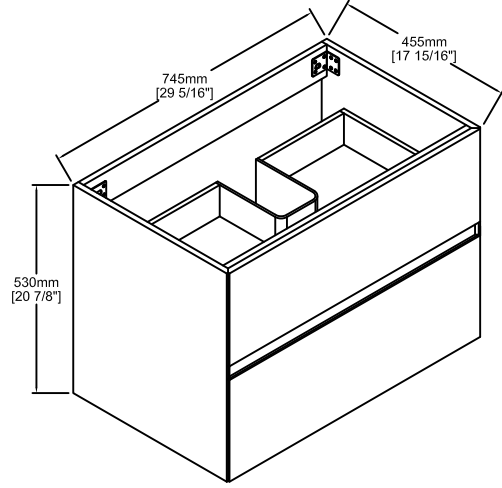




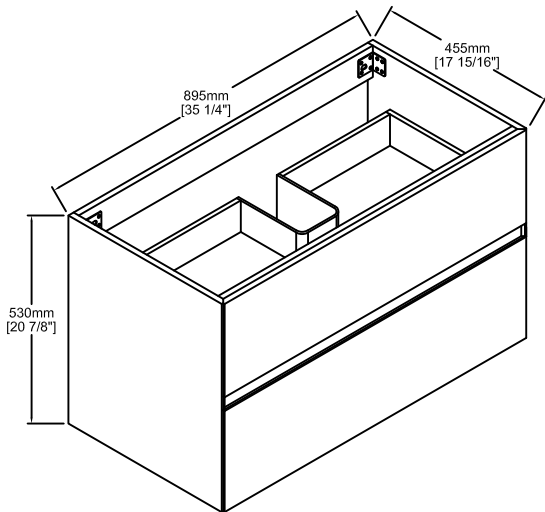
BLOSSOM[®]
luxury made simple



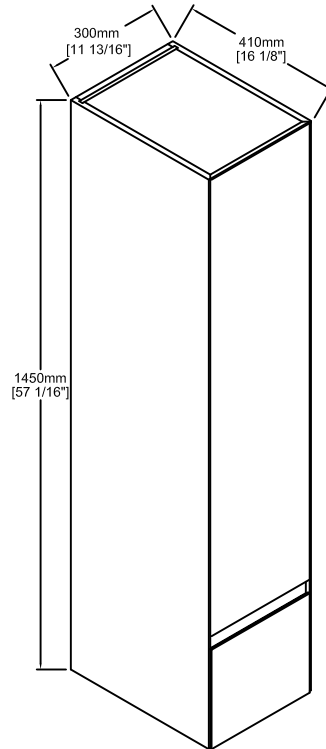
V8036 24



V8036 30



V8036 36



S8036 12 L / R

[**ASSISI**]
Series Vanities

Specification & Installation Guide

Features

- Modern design with gloss white or melamine finishes.
- Soft-closing drawers.
- Compatible ceramic basins or artificial stone basins.
- Compatible matching mirror, medicine cabinet, LED Mirror, or LED medicine cabinet.
- Easy installation.

Package Dimension

12" 60-1/4" X 14-15/16" X 19-5/16"

24" 26-9/16" X 21-1/16" X 24"

30" 32-1/2" X 21-1/16" X 24"

36" 38-3/8" X 21-1/16" X 24"

Colors / Finishes

GLOSSY WHITE - 01
BROWN WALNUT - 11
CLASSIC OAK - 29

Gross Weight

12" 56 LBS

24" 51 LBS

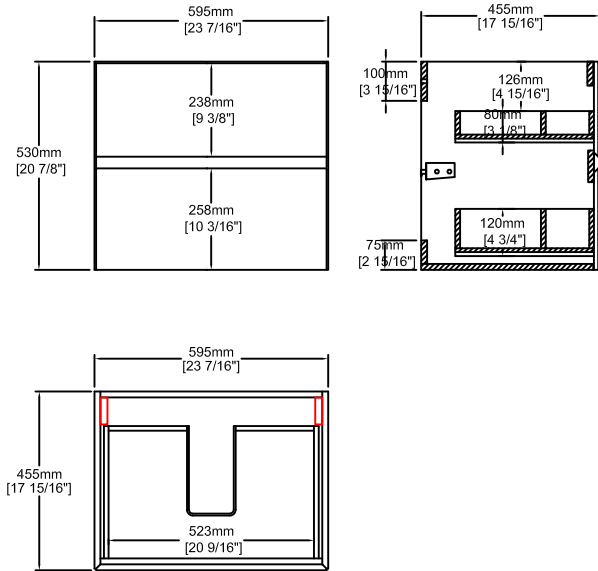
30" 55 LBS

36" 61 LBS

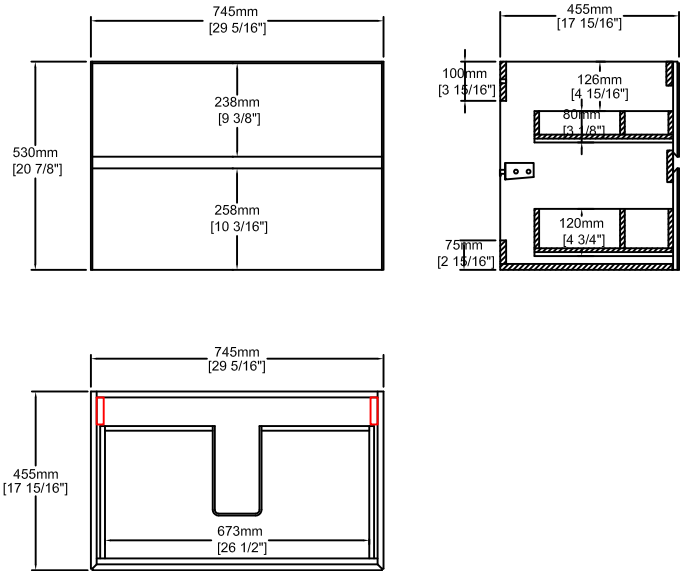
Sink Top Options

	Vanities	Ceramic basin	Artificial stone basin
12"	S8036 - 12 L		
12"	S8036 - 12 R		
24"	V8036 - 24	C04 2418	A10 2418 25
30"	V8036 - 30	C04 3018	A10 3018 25
36"	V8036 - 36	C04 3618	A10 3618 25

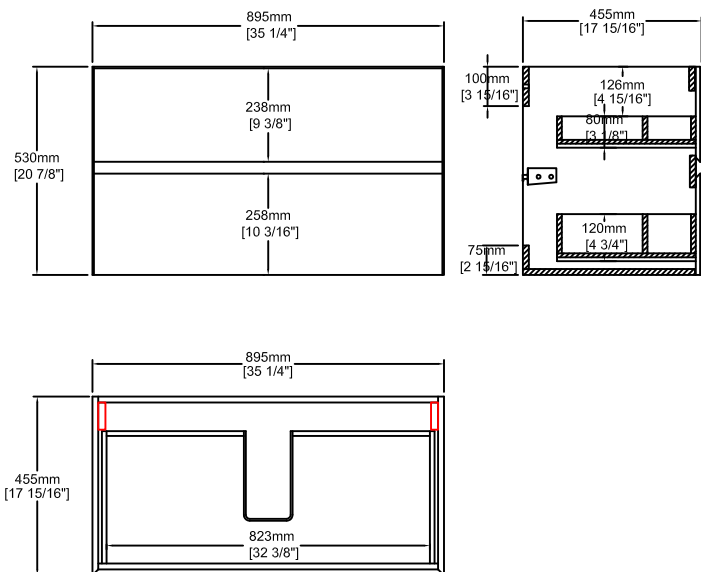
24" 23-7/16" x 17-15/16" x 20-7/8"



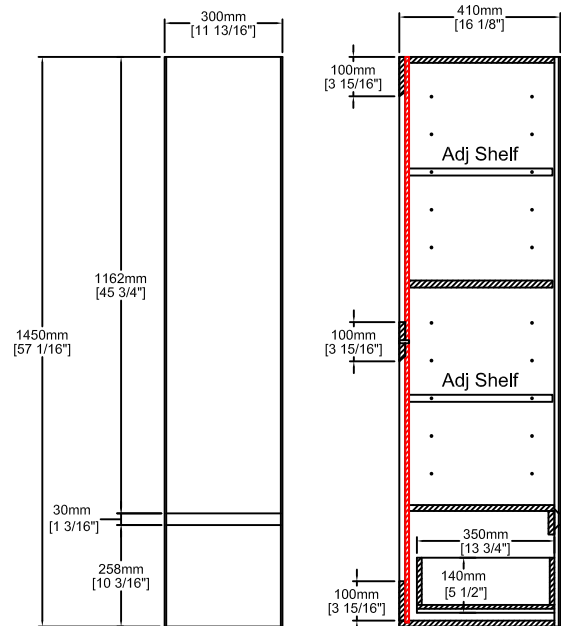
30" 29-5/16" x 17-15/16" x 20-7/8"

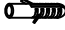
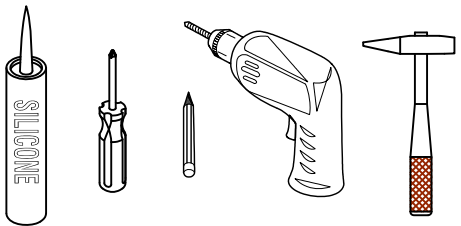

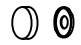





36" 35-1/4" x 17-15/16" x 20-7/8"



12" 11-13/16" x 16-1/8" x 57-1/16"

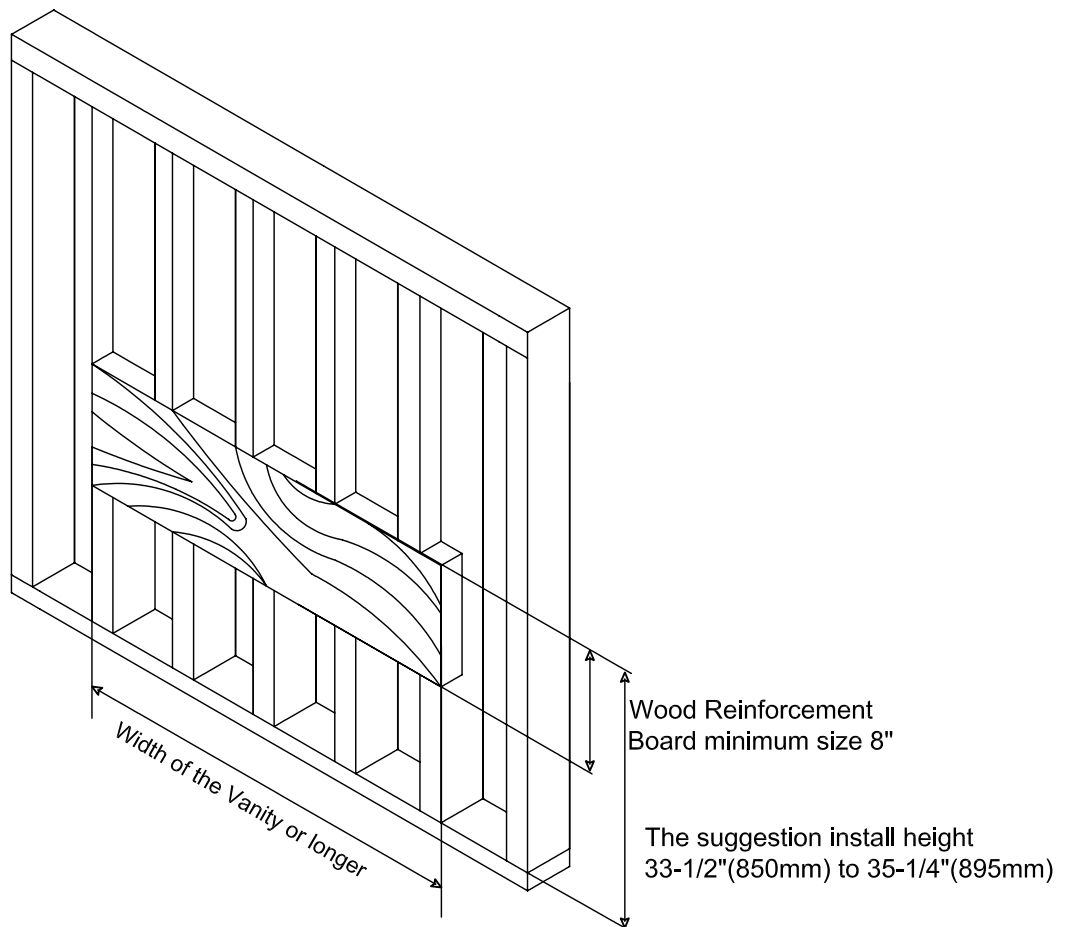


Hardware				Tools (not includes)
NO.		Draw	QTY	
A	White rubber plug(Ø6mm)		2	
B	Screws(Ø4 x 68mm)		2	
C	Stainless steel cover		2	
D	Leveling bracket		2	
E	Green rubber plug		6	
F	Screw		6	

Wall blocking is required for all installation

The suggested heights without the sink are 30-5/8" for Blossom Resin Basin, or 32-5/8" for Blossom Ceramic Basin.

Depending on the sinks selected, the total height will vary from 33-1/2"(850mm) to 35-1/4"(895mm). If an alternate height desired, adjust the rough-in and backing material heights using the dimensions provided.

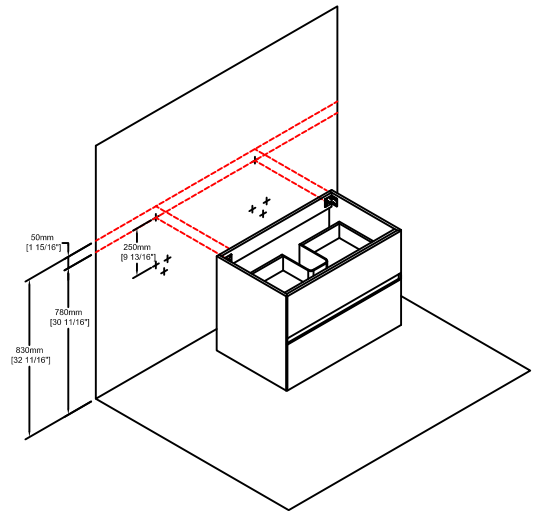


STEP 1

- Draw a punched position on the wall with a pencil.

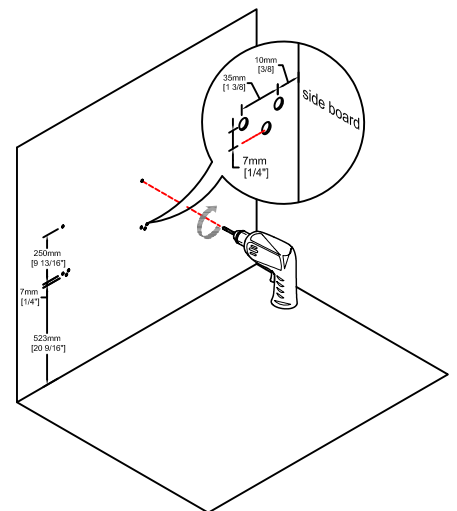
Tip:

1. The suggestion height of the cabinet is 32-11/16"(830mm)-not including the basin.
2. The suggestion height of the upper hole is 30-11/16"(780mm).
3. The suggestion distance between the upper hole to the lower hole is 9-13/16"(250mm).



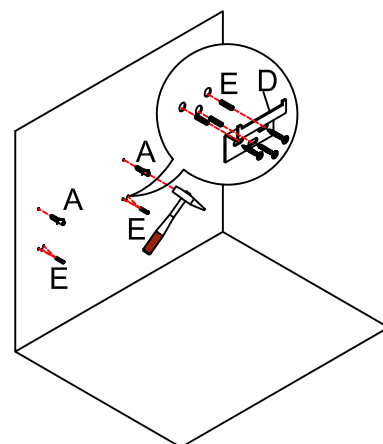
STEP 2

- Drill the holes with suitable drill-bits base on different condition of the wall.



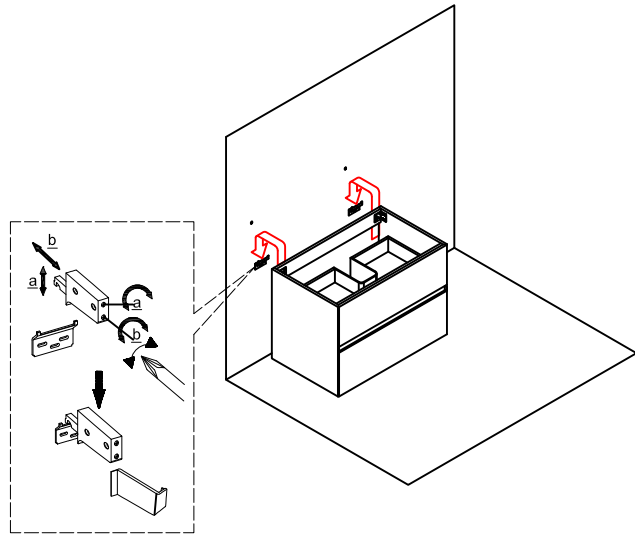
STEP 3

- Use a hammer to knock the white expansion rubber plug into the upper hole, and knock the green rubber plug into the three lower hole, align the hole in the wall and lock the leveling bracket to the wall with screws.



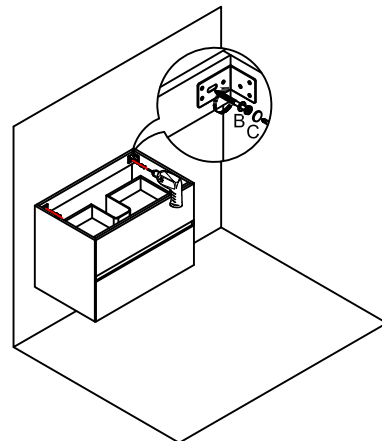
STEP 4

- Hang the accessories behind the cabinet on the leveling bracket.(As the picture shows).



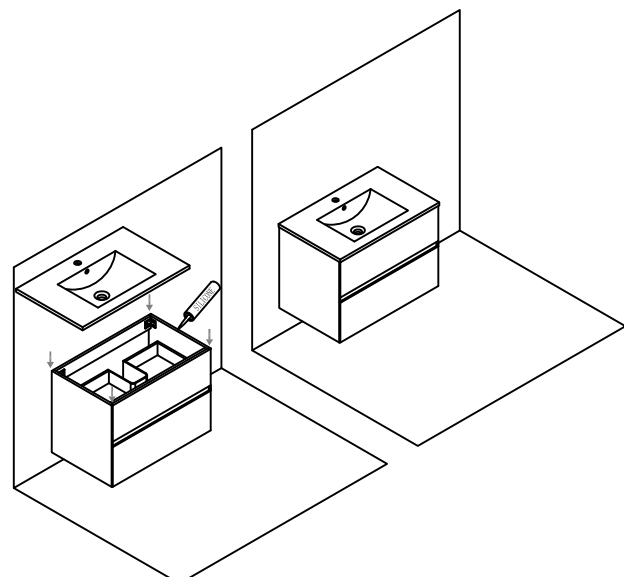
STEP 5

- Fix the cabinet to the wall with screw B and cover it with a stainless steel lid C.



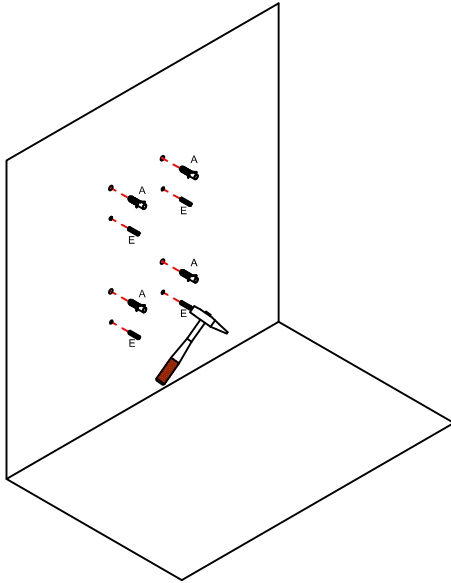
STEP 6

- Install sink top with silicone and finish.



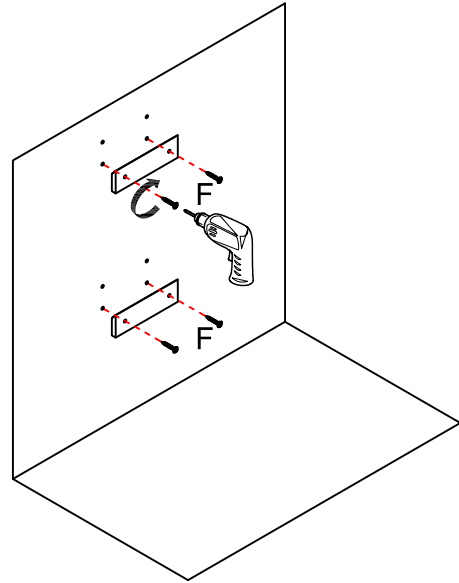
STEP 1

- Measure the wall-hung board and mark down the holes on the wall.
- Drill the holes with suitable drill-bits base on different condition of the wall.
- Use a hammer to knock the white rubber plug into the hole.



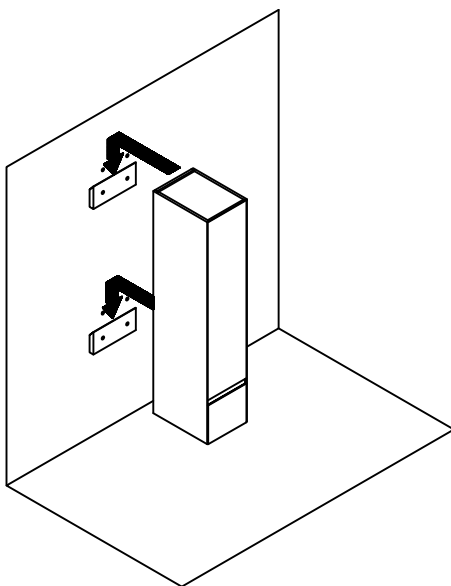
STEP 2

- Screw the 45 degree wall-hung panel onto the wall.



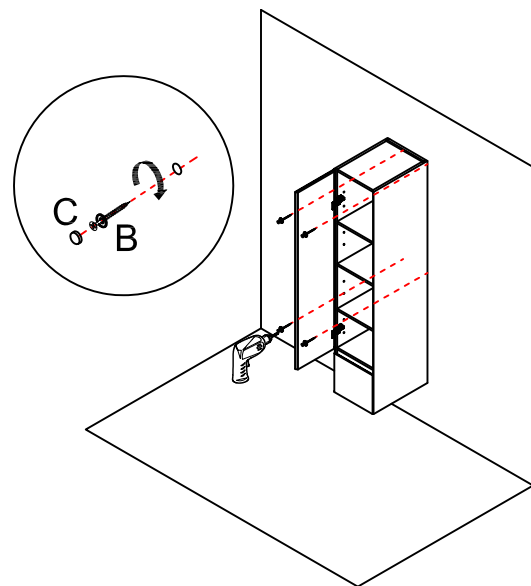
STEP 3

- Put up the back top panel of side vanity on the 45 degree wall-hung panel .



STEP 4

- Fix the side cabinet to the wall with screw B and cover it with a stainless steel lid C.
- Finished.





Blossom Kitchen & Bath Supply Corporation
(718)-366-0088 | sales@BlossomUS.com | www.BlossomUS.com

For clarification, please contact us at (718)-366-0088 or sales@BlossomUS.com
All dimensions are approximate and subject to standard tolerance. Specifications subject to change without prior notice.