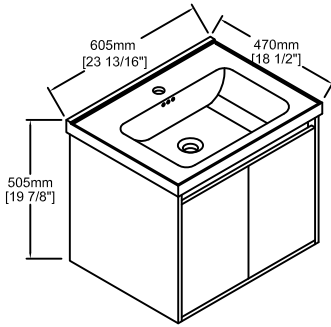
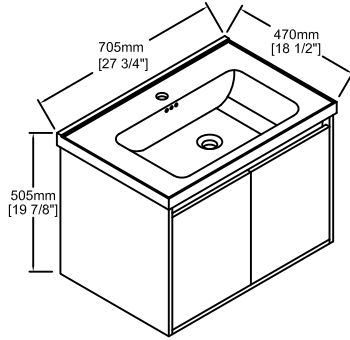




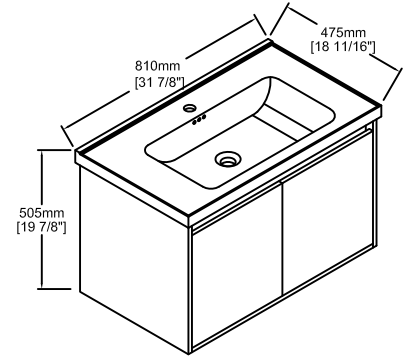
BLOSSOM[®]
luxury made simple



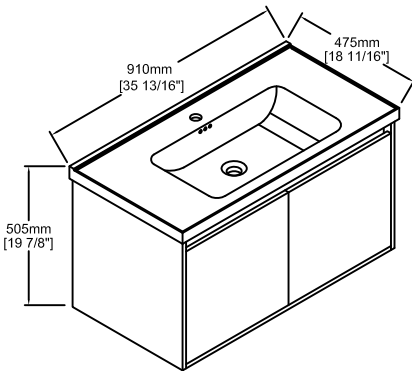
V8035 24



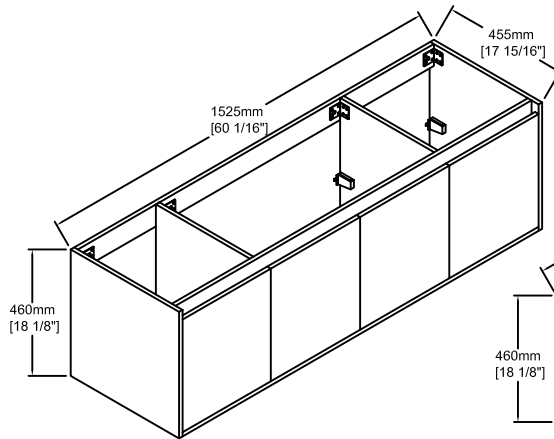
V8035 28



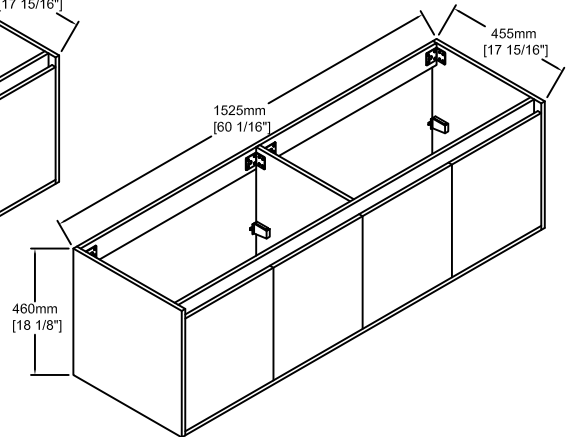
V8035 32



V8035 36



V8035 60S



V8035 60D

[**BERN**]
Series Vanities

Specification & Installation Guide

Features

- Modern design with matte white or melamine finishes.
- Soft-closing doors.
- Compatible ceramic basins or artificial stone basins.
- Compatible matching mirror, medicine cabinet, LED Mirror, or LED medicine cabinet.
- Easy installation.

Package Dimension

24"	26-3/16" x 21-1/4" x 23-7/16"
28"	30-1/16" x 21-1/4" x 23-7/16"
32"	34-1/16" x 21-1/4" x 23-7/16"
36"	38 x 21-1/4" x 23-7/16"
60"S	63" x 20-7/8" x 20-11/16"
60"D	63" x 20-7/8" x 20-11/16"

Colors / Finishes

- GLOSSY WHITE - 01
- BROWN WALNUT - 11
- CLASSIC OAK - 29

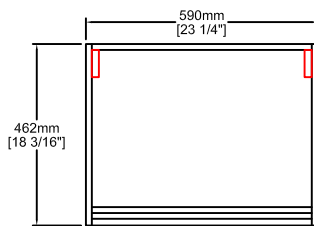
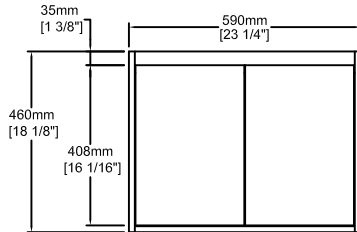
Gross Weight

24"	67 LBS
28"	76 LBS
32"	83 LBS
36"	89 LBS
60"S	72 LBS
60"D	70 LBS

Sink Top Options

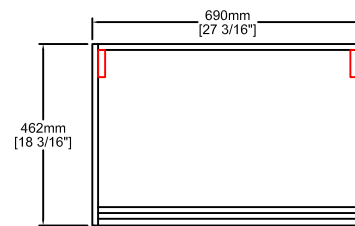
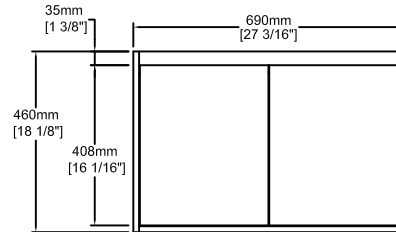
	Vanities	Ceramic basin	Artificial stone basin
24"	V8035 - 24	C10 2418	
28"	V8035 - 28	C10 2818	
32"	V8035 - 32	C10 3218	
36"	V8035 - 36	C10 3618	
60"S	V8035 - 60S		A10 6018 25S
60"D	V8035 - 60D		A10 6018 25D

24" 23-1/4" x 18-3/16" x 18-1/8"



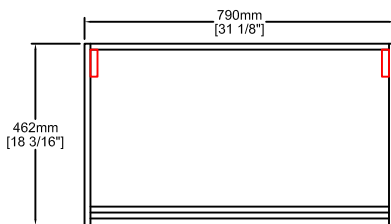
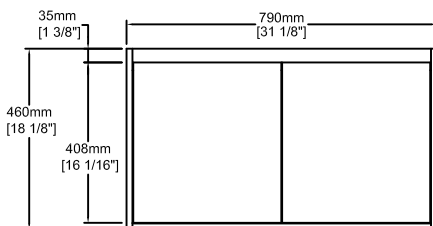
TOP VIEW

28" 27-3/16" x 18-3/16" x 18-1/8"



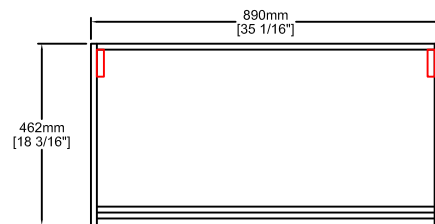
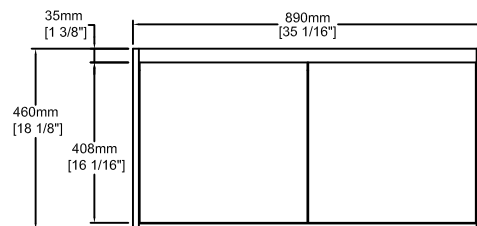
TOP VIEW

32" 31-1/8" x 18-3/16" x 18-1/8"



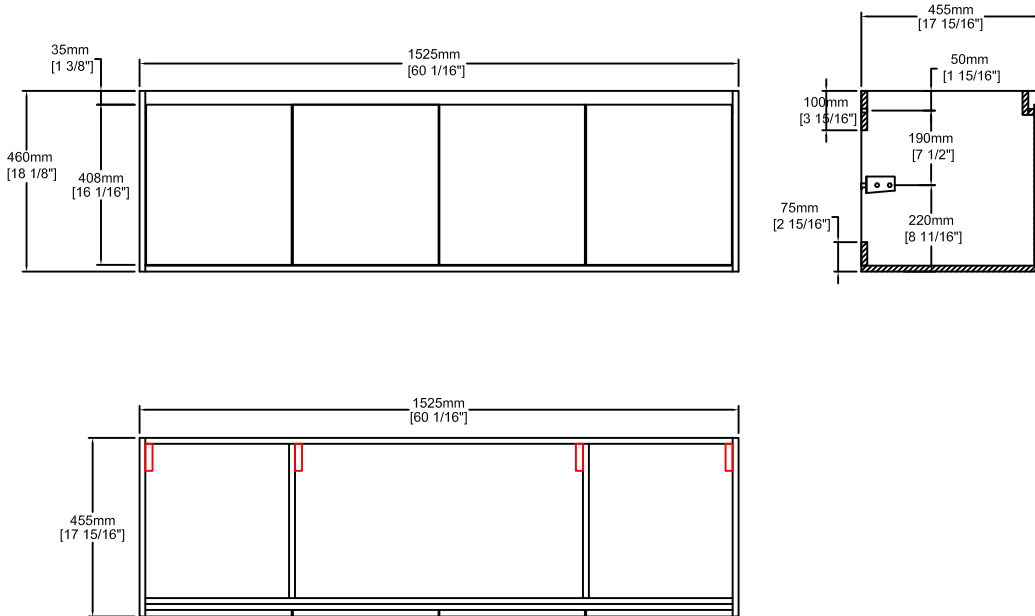
TOP VIEW

36" 35-1/16" x 18-3/16" x 18-1/8"

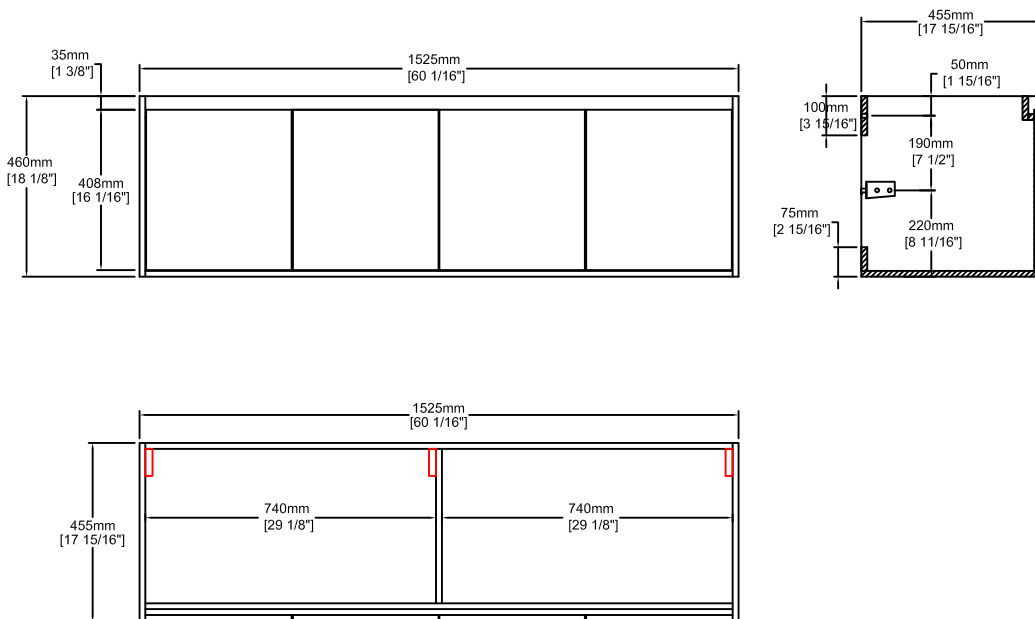


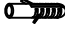
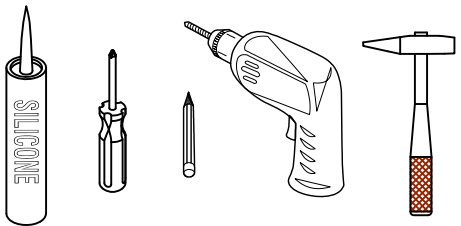

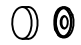



TOP VIEW

60"S 60-1/16" x 17-15/16" x 18-1/8"



60"D 60-1/16" x 17-15/16" x 18-1/8"

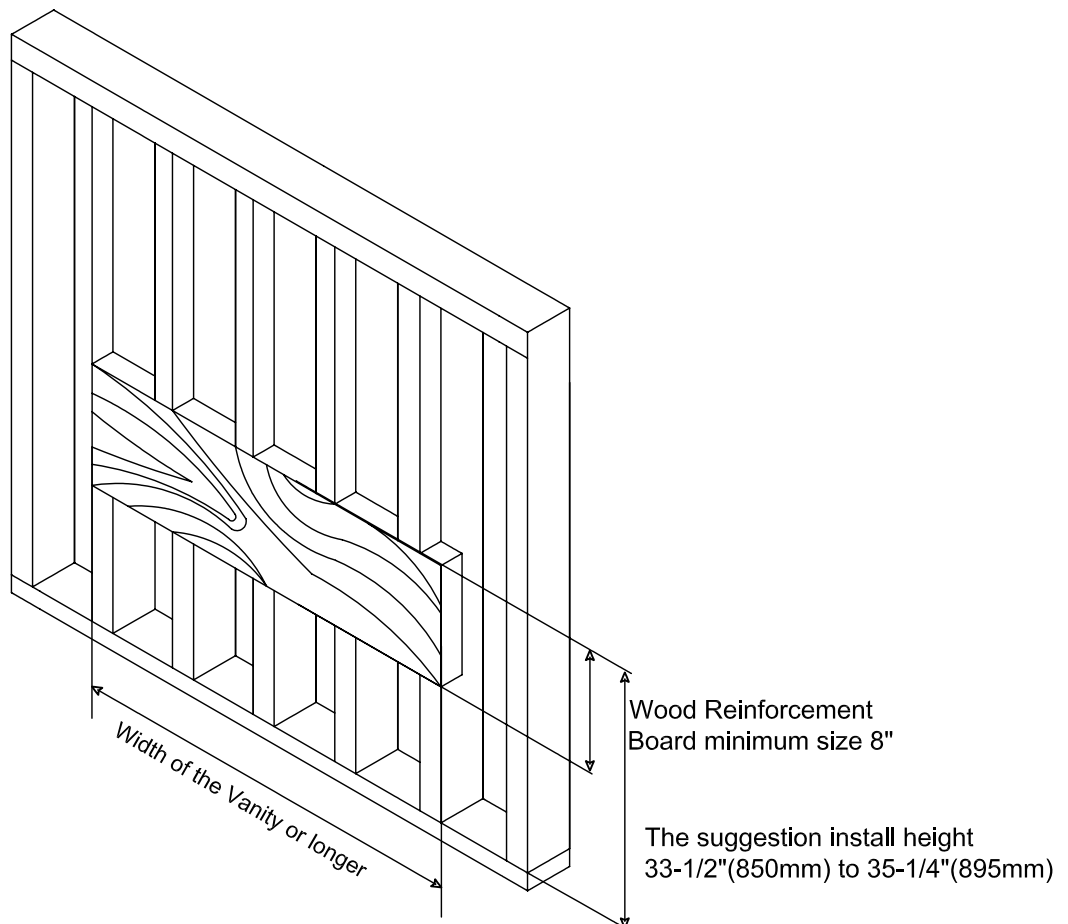


Hardware				Tools (not includes)
NO.		Draw	QTY	
A	White rubber plug(Ø6mm)		2	
B	Screws(Ø4 x 68mm)		2	
C	Stainless steel cover		2	
D	Leveling bracket		2	
E	Green rubber plug		6	
F	Screw(Ø4 x 45mm)		6	

Wall blocking is required for all installation

The suggested heights without the sink are 30-5/8" for Blossom Resin Basin, or 32-5/8" for Blossom Ceramic Basin.

Depending on the sinks selected, the total height will vary from 33-1/2"(850mm) to 35-1/4"(895mm). If an alternate height desired, adjust the rough-in and backing material heights using the dimensions provided.

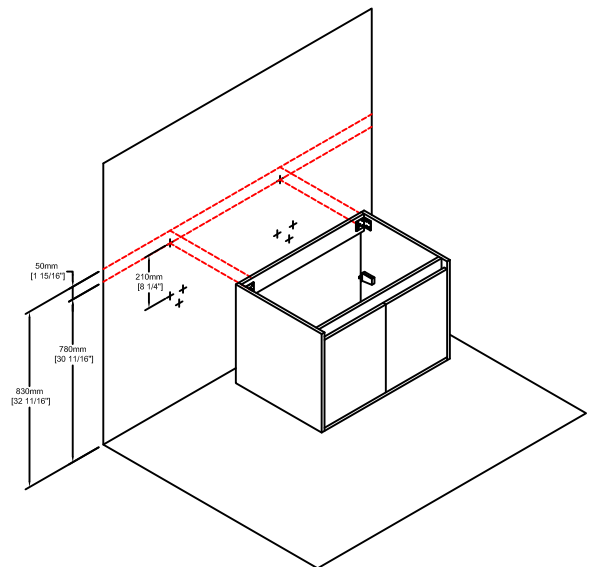


STEP 1

- Draw a punched position on the wall with a pencil.

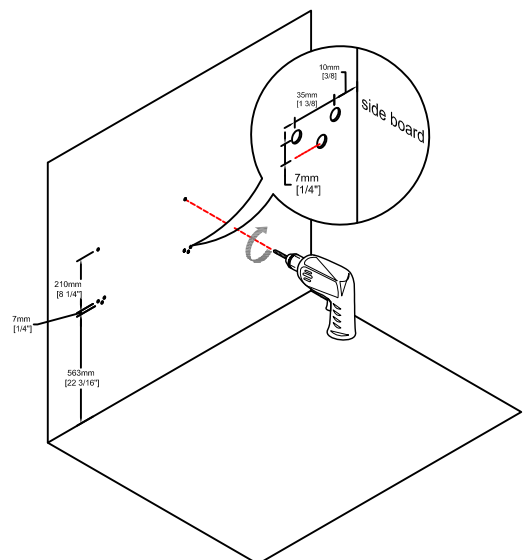
Tip:

1. The suggestion height of the cabinet is 32-11/16"(830mm)-not including the basin.
2. The suggestion height of the upper hole is 30-11/16"(780mm).
3. The suggestion distance between the upper hole to the lower hole is 8-1/4"(210mm).



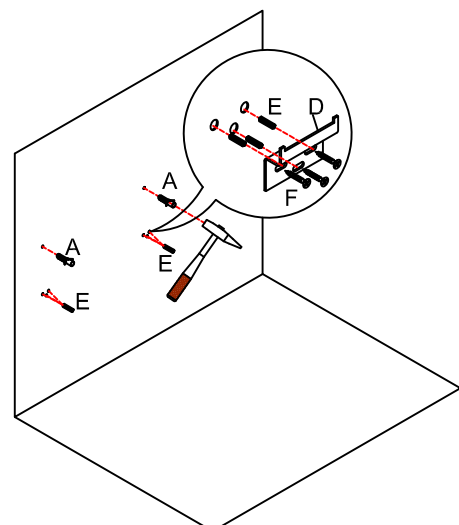
STEP 2

- Drill the holes with suitable drill-bits base on different condition of the wall.



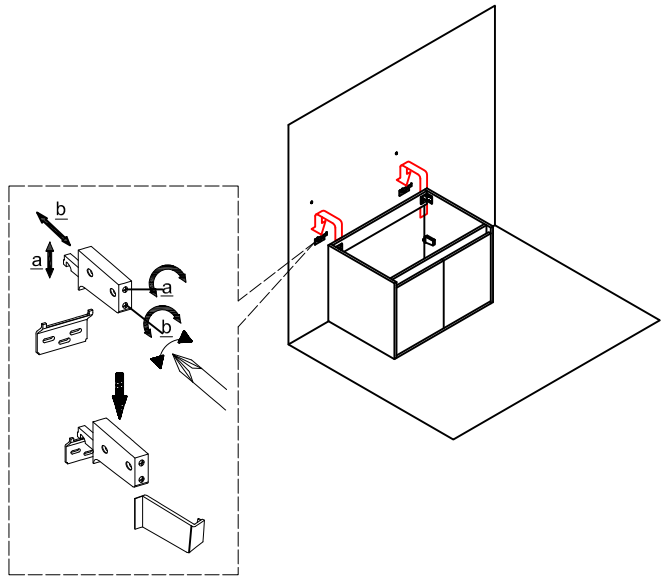
STEP 3

- Use a hammer to knock the white expansion rubber plug into the upper hole, and knock the green rubber plug into the three lower hole, align the hole in the wall and lock the leveling bracket to the wall with screws.



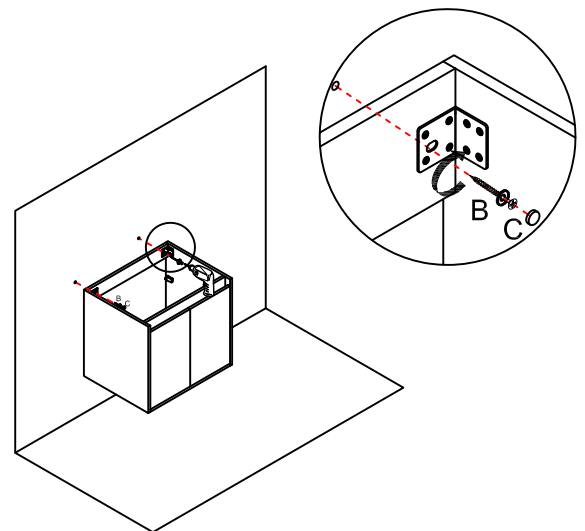
STEP 4

- Hang the accessories behind the cabinet on the leveling bracket. (As the picture shows).



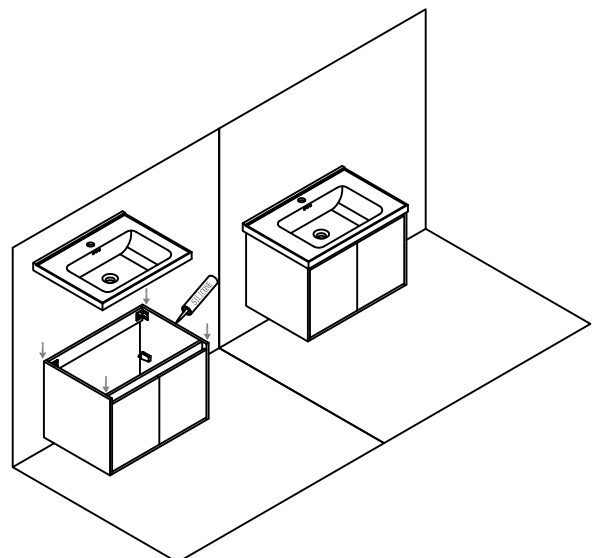
STEP 5

- Fix the cabinet to the wall with screw B and cover it with a stainless steel lid C.



STEP 6

- Install sink top with silicone and finish.





Blossom Kitchen & Bath Supply Corporation
(718)-366-0088 | sales@BlossomUS.com | www.BlossomUS.com

For clarification, please contact us at (718)-366-0088 or sales@BlossomUS.com
All dimensions are approximate and subject to standard tolerance. Specifications subject to change without prior notice.