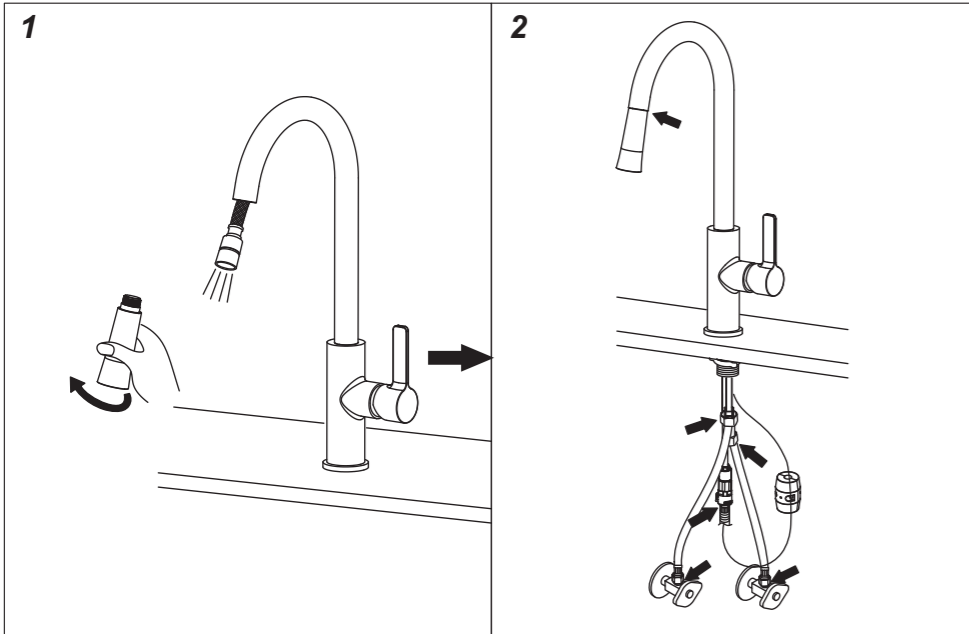
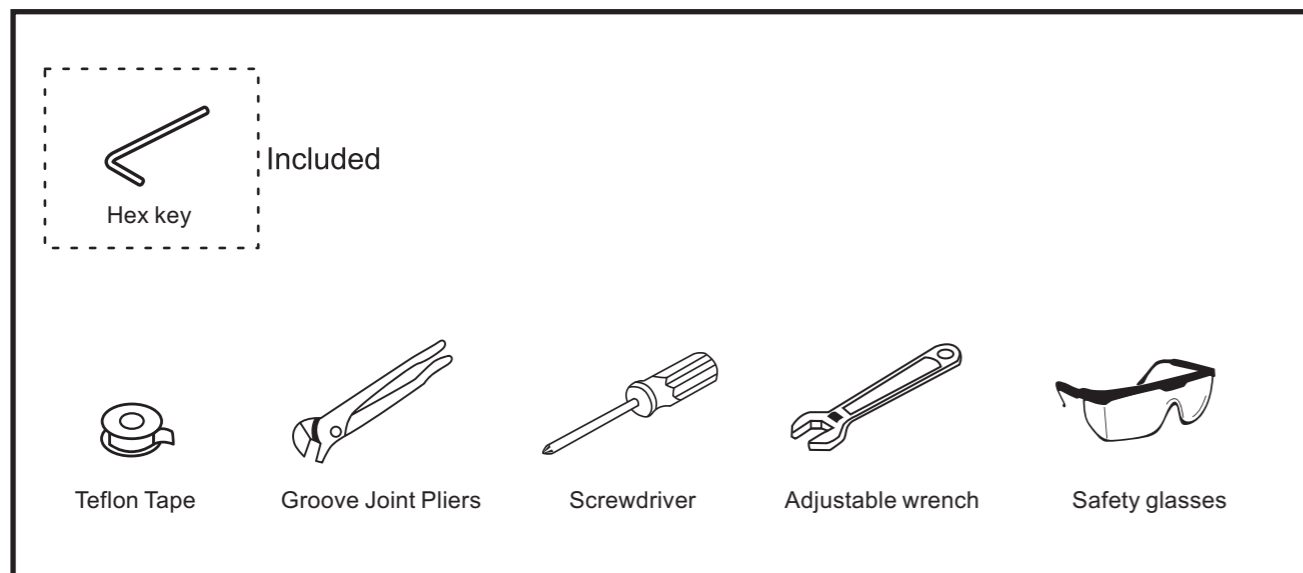


## Checking and testing



1. Remove the spray head by hand, turn the faucet handle all the way on, turn on hot and cold water supply and flush water lines for one minute. Reinstall spray head by hand.
2. Check all connections at arrows for leaks, re-tighten it if necessary. **BUT DON'T OVERTIGHTEN.**

## RECOMMENDED TOOLS

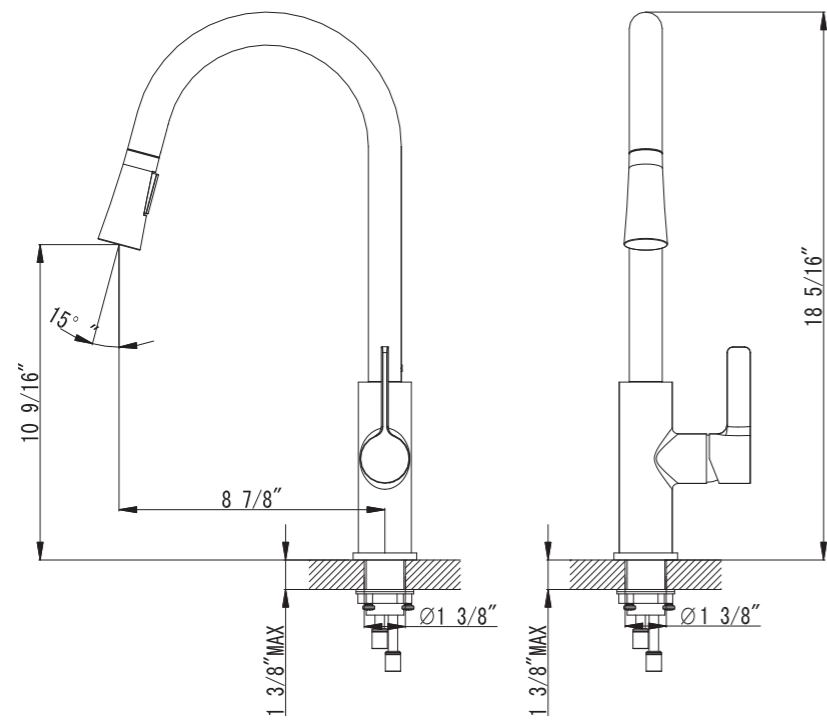


# BLOSSOM

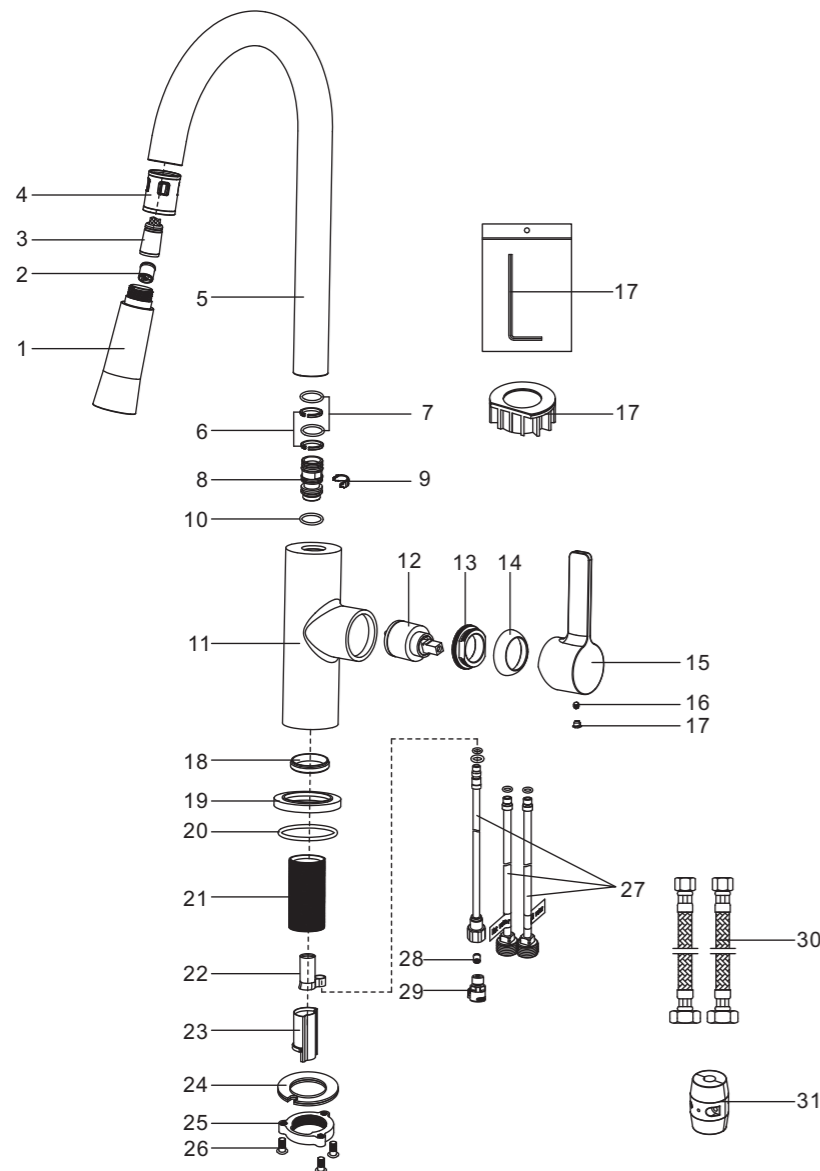


MODEL NO.:F01 201

DESCRIPTION:SINGLE HANDLE PULL-DOWN KITCHEN FAUCET

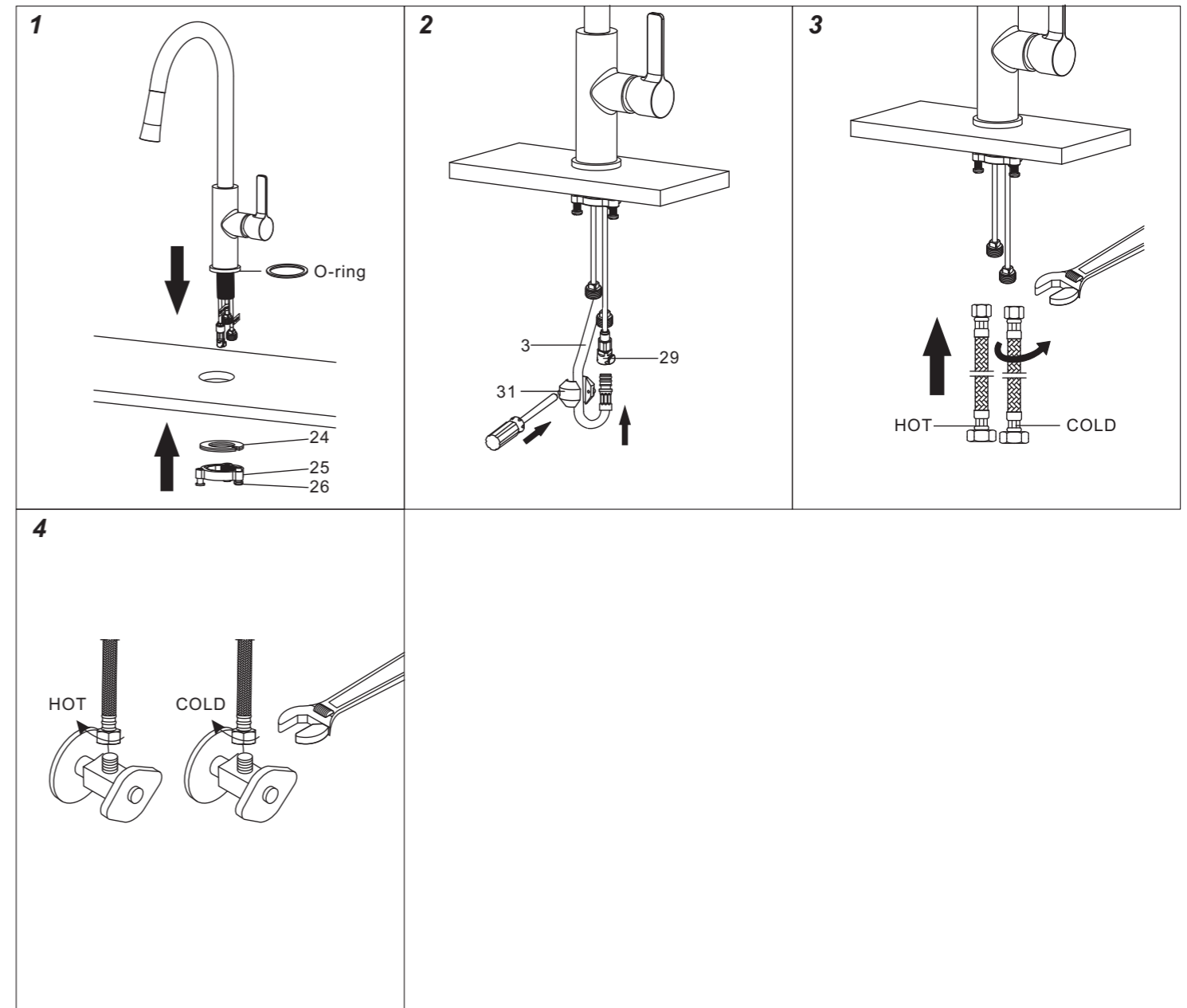


## Parts list



NO.	PART NAME
1	Spray head
2	Check valve
3	Hose
4	Hose sleeve
5	Spout
6	Ring
7	O-ring
8	Connector
9	Retainer
10	O-ring
11	Body
12	Cartridge
13	Cartridge lock nut
14	Trim cap
15	Handle
16	Screw
17	Index
18	Connector
19	Base
20	O-ring
21	Threaded shank
22	Hose Sleeve
23	Protective sleeve
24	Gasket assembly
25	Lock nut
26	Screw
27	Copper tube
28	Check valve
29	Quick connect assembly
30	Flexible hose
31	Weight

## Faucet installation



1. Attach gasket assembly #24 and lock nut #25 from the bottom. Use a screwdriver to tighten the 3-screws #26 on the lock nut #25. See diagram for visual.
2. Attach the hose #3 to the hose quick connect assembly #29 on the faucet. Be sure to fully insert the hose #3, you will hear a light click or popping sound when connected (see diagram). Attach the weight #31 to the lowest point on the downward side of the hose #3 to prevent the hose #3 from twisting. The weight can be installed facing either direction, it will not move once tightened down.
3. Assemble the 2 flexible hose to the faucet with adjustable wrench.
4. Connect the flexible hose to water supply valve (not included), and tighten it with adjustable wrench. **DON'T OVER TIGHTEN!**  
Caution: make sure connect the hot and cold supply lines to supply valves correctly.  
**Warning: The supply valves are not included, please purchase them in plumbshop.**