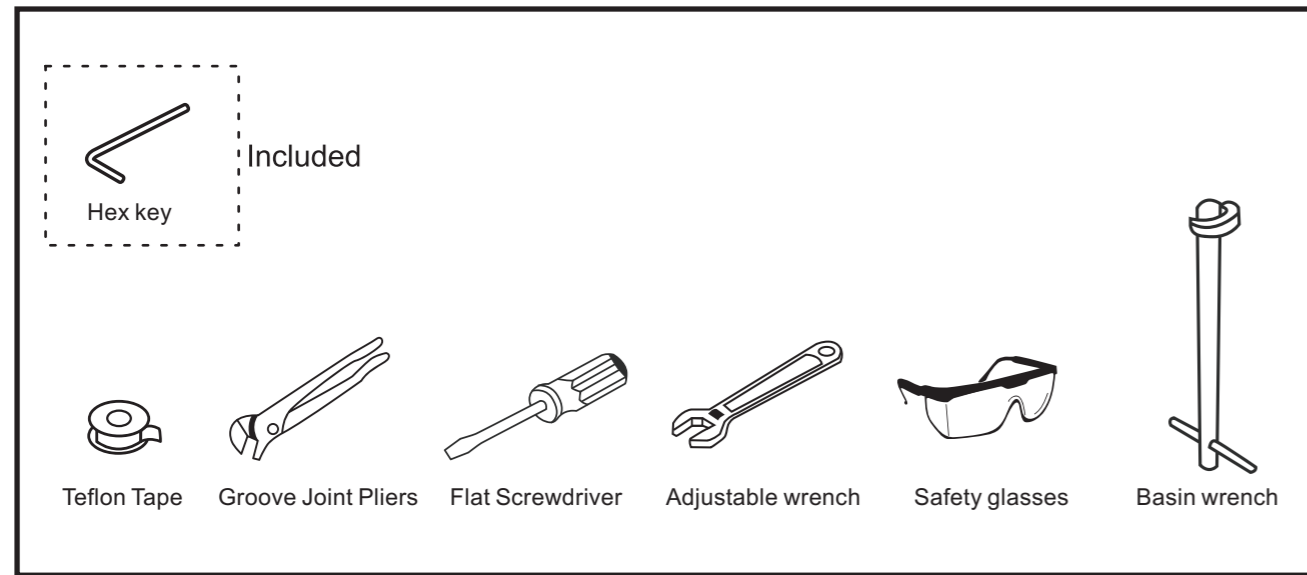


## RECOMMENDED TOOLS



# BLOSSOM

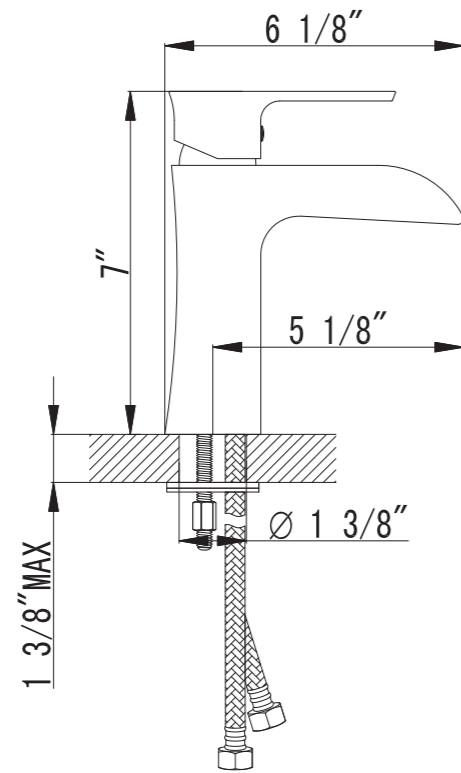


NSF

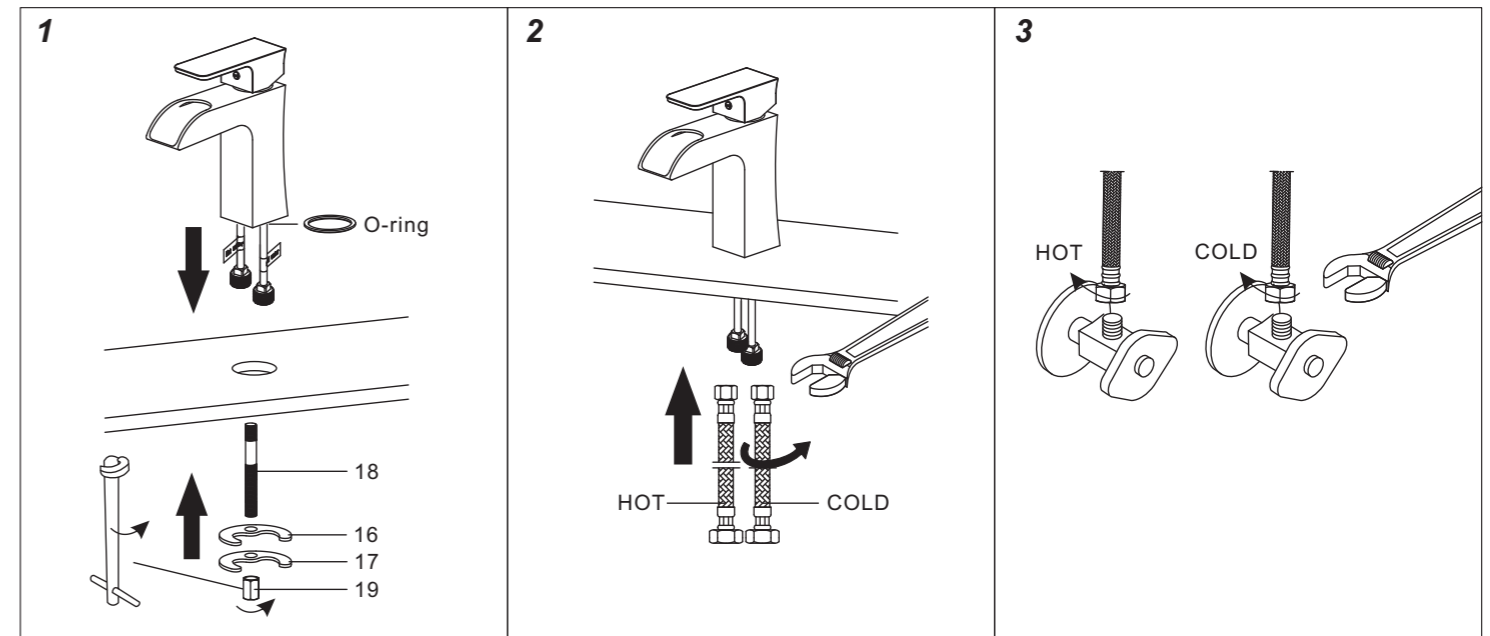


MODEL NO.:F01 103

DESCRIPTION:SINGLE HANDLE LAVATORY FAUCET

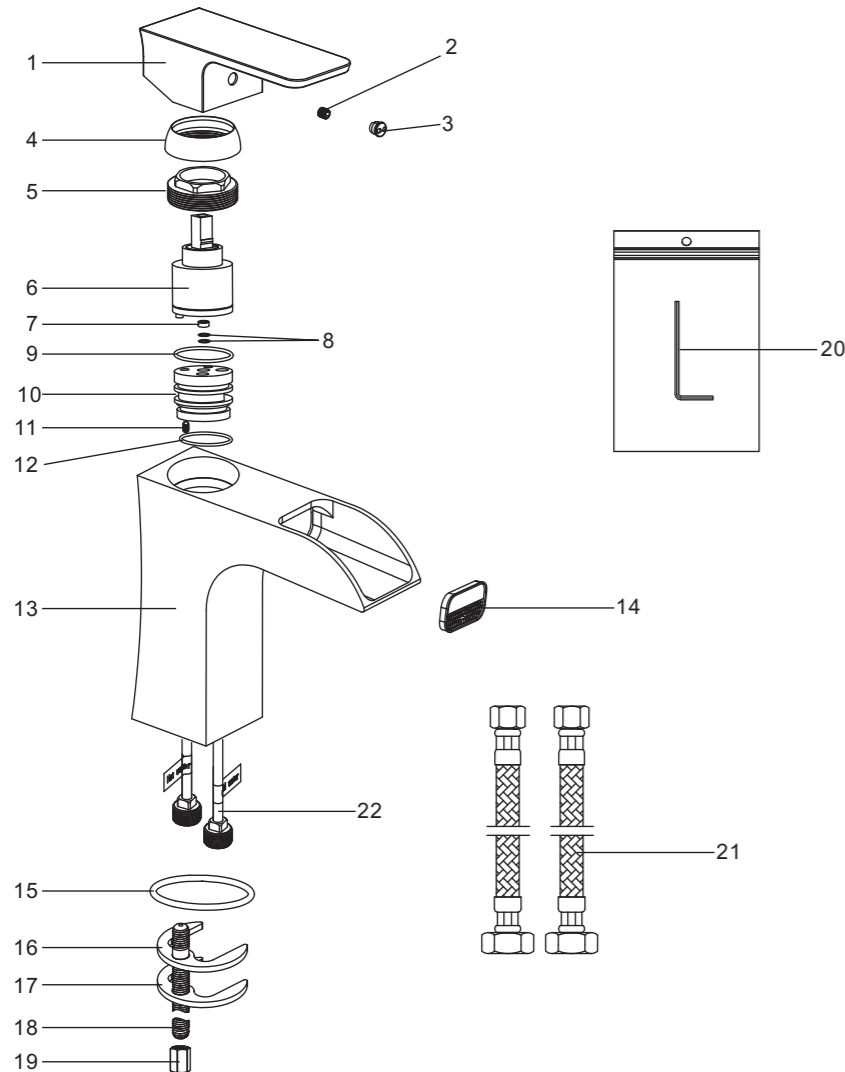


## Faucet installation



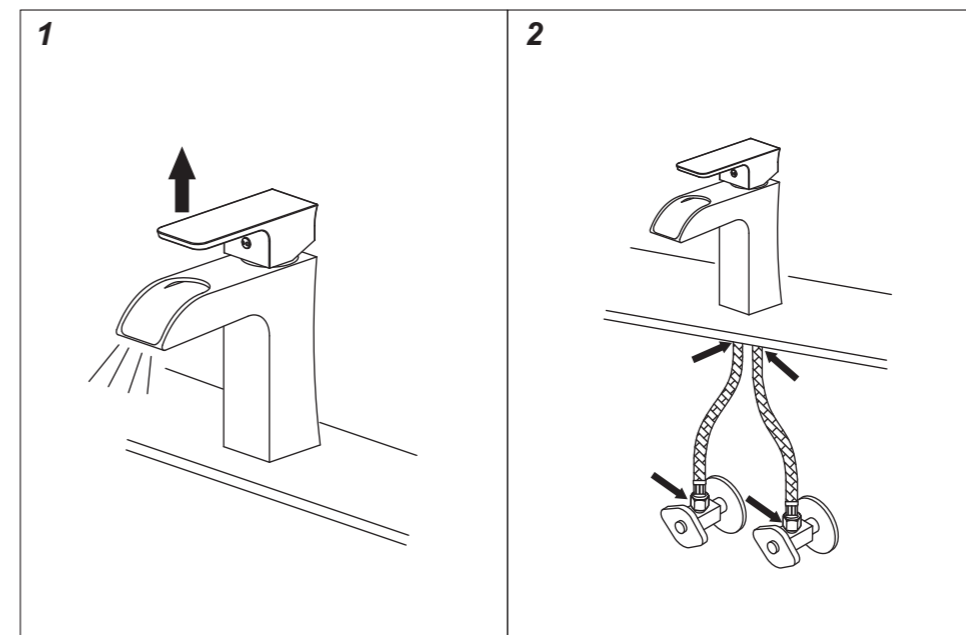
- Put the faucet into the installation hole of the basin. Make sure o-ring be on the base of faucet. Assemble screw #18 to the base of faucet, and assemble rubber washer #16 and clamp #17 to screw #18. Then assemble lock nut #19 by basin wrench to screw #18 to fix the faucet.
- Assemble the 2 flexible hose to the faucet with adjustable wrench.
- Connect the flexible hose to water supply valve (not included), and tighten it with adjustable wrench. **DON'T OVER TIGHTEN!**  
Caution: make sure connect the hot and cold supply lines to supply valves correctly.  
**Warning: The supply valves are not included, please purchase them in plumbshop.**

## Parts list



NO.	PART NAME
1	Handle
2	Screw
3	Index
4	Trim cap
5	Cartridge lock nut
6	Cartridge
7	Flow restricter
8	Screen filter
9	O-ring
10	Cartridge seat
11	Screw
12	O-ring
13	Body
14	Aerator
15	O-ring
16	Rubber washer
17	Clamp
18	Screw
19	Lock nut
20	Allen key
21	Flexible hose
22	Copper tube

## Checking and testing



- Turn the faucet handle all the way on, turn on hot and cold water supply and flush water lines for one minute.
- Check all connections at arrows for leaks, re-tighten it if necessary. **BUT DON'T OVERTIGHTEN**