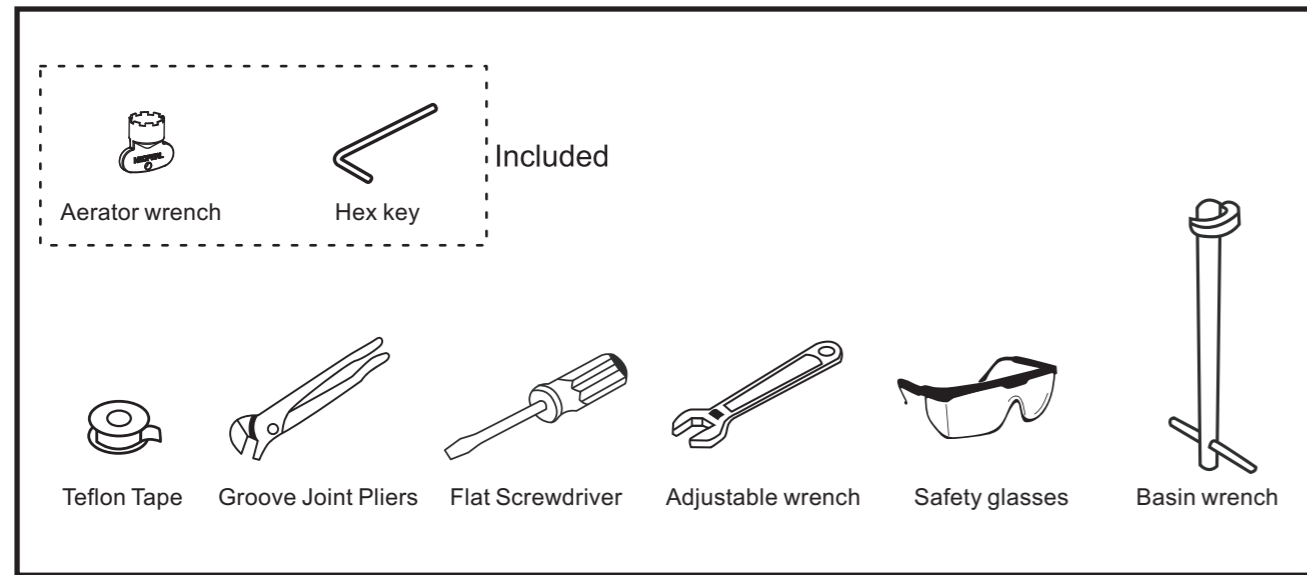


RECOMMENDED TOOLS

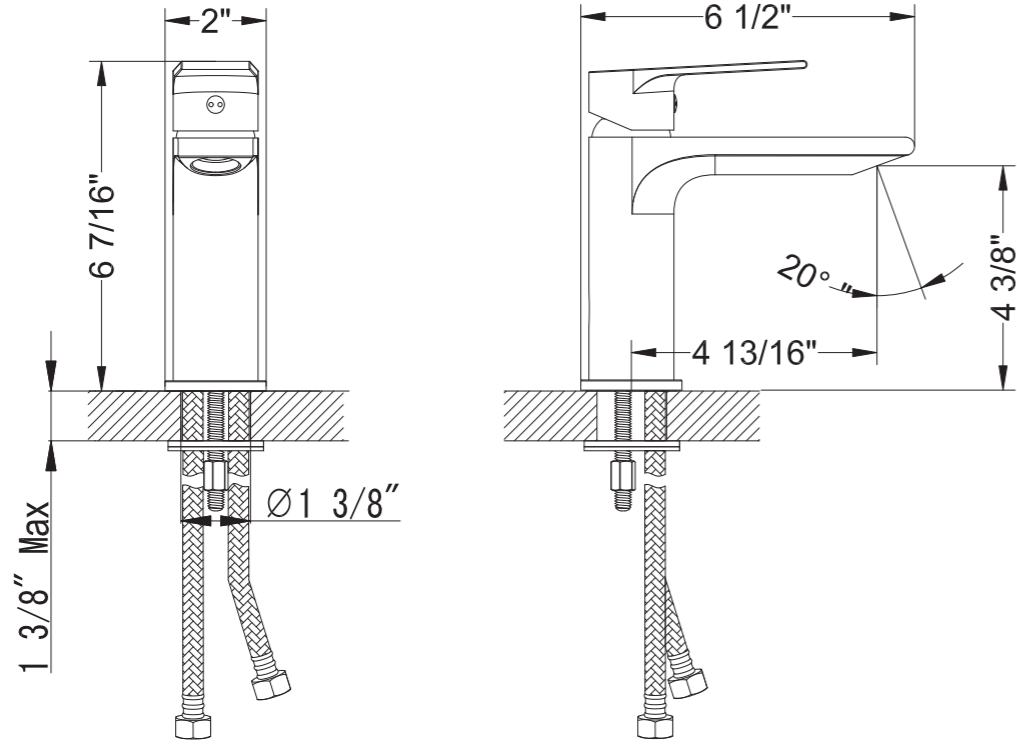


BLOSSOM

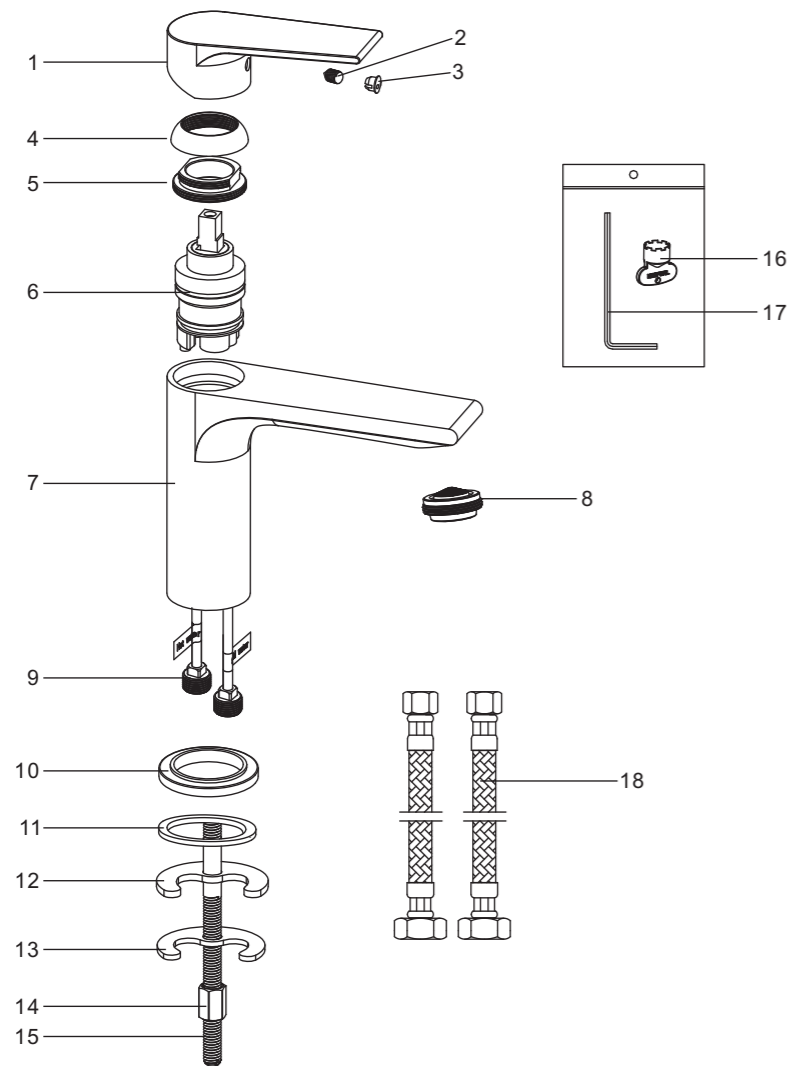


MODEL NO.:F01 102

DESCRIPTION:SINGLE HANDLE LAVATORY FAUCET

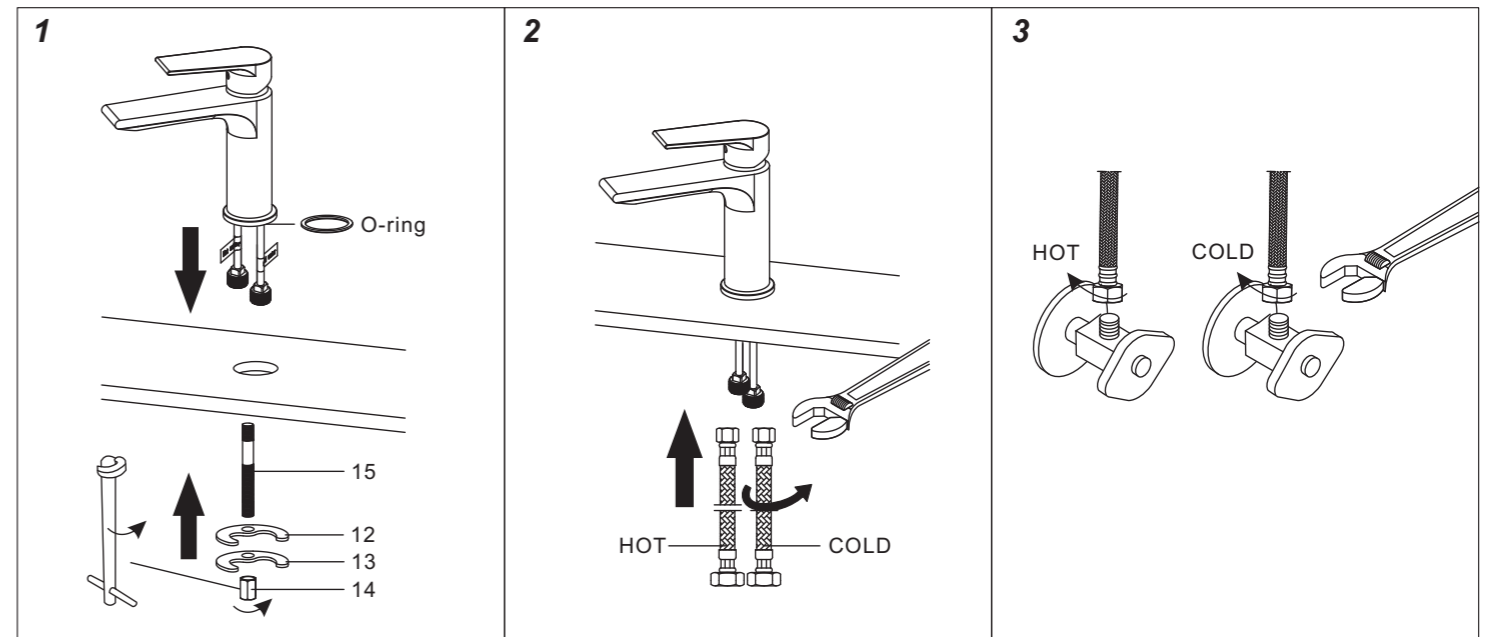


Parts list



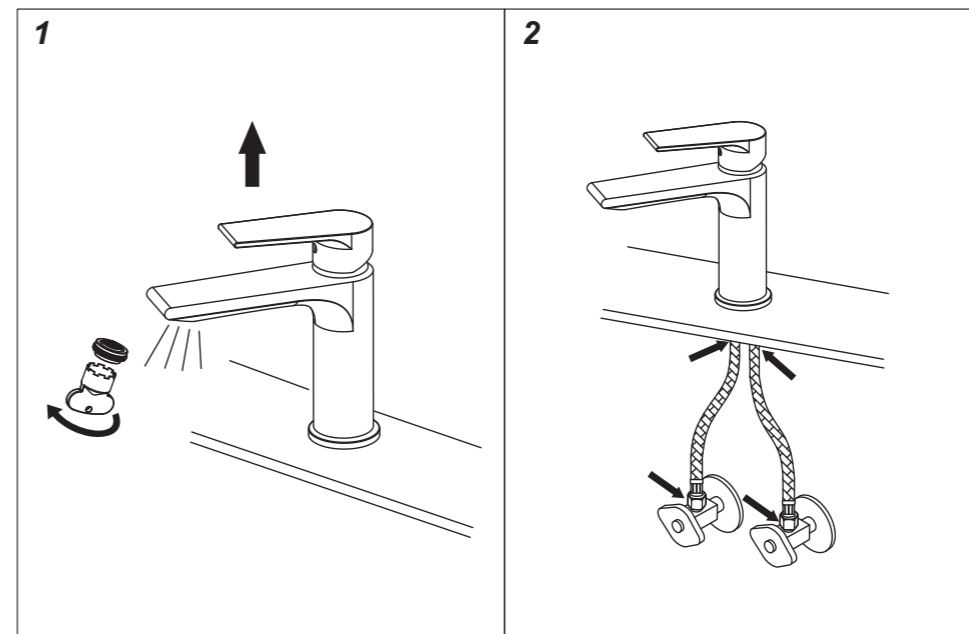
| NO. | PART NAME |
|-----|--------------------|
| 1 | Handle |
| 2 | Screw |
| 3 | Index |
| 4 | Trim cap |
| 5 | Cartridge lock nut |
| 6 | Cartridge |
| 7 | Body |
| 8 | Aerator |
| 9 | Copper tube |
| 10 | Base |
| 11 | O-ring |
| 12 | Rubber washer |
| 13 | Clamp |
| 14 | Lock nut |
| 15 | Screw |
| 16 | Aerator wrench |
| 17 | Allen key |
| 18 | Flexible hose |

Faucet installation



- Put the faucet into the installation hole of the basin. Make sure o-ring be on the base of faucet. Assemble screw #15 to the base of faucet, and assemble rubber washer #12 and clamp #13 to screw #15. Then assemble lock nut #14 by basin wrench to screw #15 to fix the faucet.
- Assemble the 2 flexible hose to the faucet with adjustable wrench.
- Connect the flexible hose to water supply valve (not included), and tighten it with adjustable wrench. **DON'T OVER TIGHTEN!**
Caution: make sure connect the hot and cold supply lines to supply valves correctly.
Warning: The supply valves are not included, please purchase them in plumbshop.

Checking and testing



- Remove the aerator by aerator wrench. Turn the faucet handle all the way on, turn on hot and cold water supply and flush water lines for one minute. Reinstall aerator by aerator wrench.
- Check all connections at arrows for leaks, re-tighten it if necessary. **BUT DON'T OVERTIGHTEN**