

## Birmingham-30"

## Specification & Installation Guide

### Features

- . Free Standing 30" Vanity: 29-5/16" W x 17-7/8" D x 32-5/8" H
- . Two Doors and One Soft Closing Drawer
- . Loft design gives you a timeless classic style bathroom.
- . Furniture grade water proof polyvinyl chloride board protected with several coats of polyurethane.
- . Two tempered safe glass insert dividers to keep your drawer more organized.
- . Compatible matching mirrors.
- . Compatible LED mirrors.
- . Compatible LED medicine cabinets with surface or recessed mount options.
- . Compatible ceramic sink top.
- . Compatible artificial stone sink top.

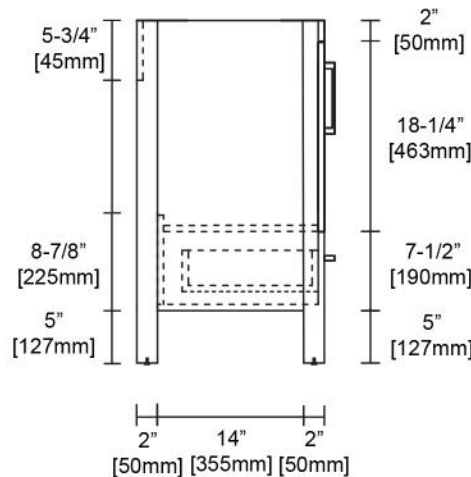
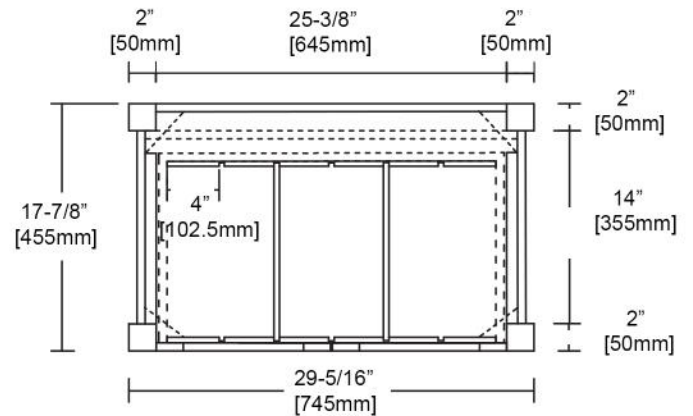
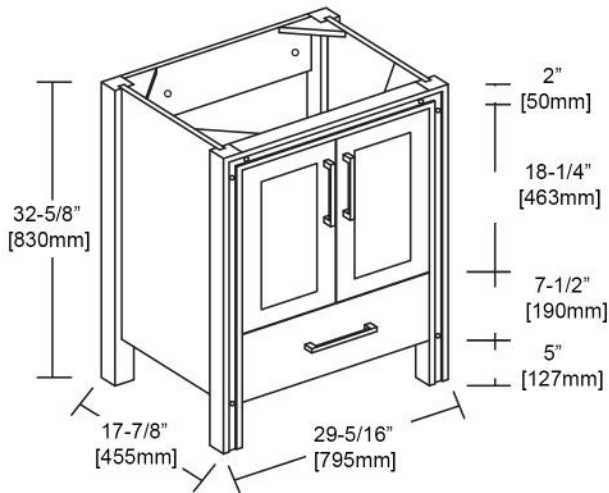
### Colors/Finishes

- . Glossy White ( V8024 30 01 )
- . Metal Grey ( V8024 30 15 )

### Package Dimension

- . 31-5/8" W x 19-7/8" D x 35" H

### Gross Weight



For clarification, please contact us at (718)-366-0088 or sales@BlossomUS.com

All dimensions are approximate and subject to standard tolerance. Specifications subject to change without prior notice.

## Birmingham-30"

## Specification & Installation Guide

### TOOLS REQUIRED



Electrical Drill



6mm Drill Bit



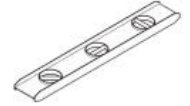
Pencil



Phillips  
Screwdriver



Tape Measure



Level

### PARTS INCLUDED



Screws x 3

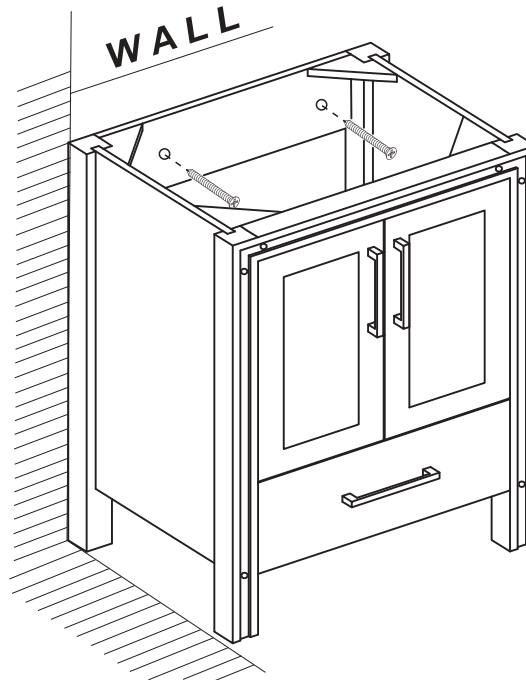


Anchors x 3

### STEP 1

#### Secure the vanity

secured the vanity by using provided parts after determined left & right position and leveling.  
Screws provided do not attach to all wall types, please consult an expert for the proper screws/bolts if necessary.



**Birmingham-30"**

**Specification & Installation Guide**

**STEP 2**

Install the sink top with silicone.

